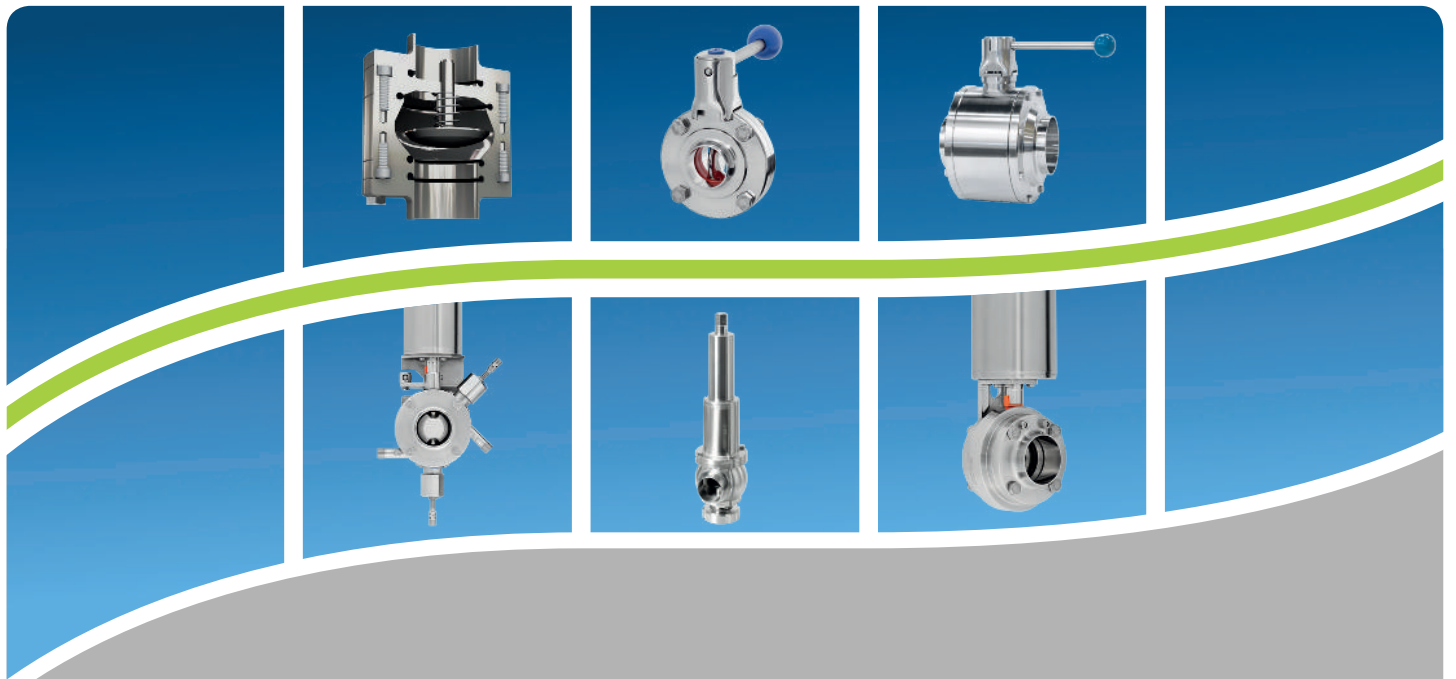


Valve Technology



Contents

Table of Contents

	Page
Contents	3
Tried and Tested Valves for Any Occasion	4
Overview of Handles and Accessories	6
Overview of Actuators and Accessories	7
Overview of Butterfly Valves and Leakage Butterfly Valve Variants	8
Configuration Example of Butterfly Valve	9
Technical Data, Butterfly Valves and Pneumatic Actuators	12
Butterfly Valves	14
Configuration Example T-Butterfly Valve and Switching Combination	28
T-Butterfly Valves and Switching Combinations	30
Seals, valve disks, Bushings and RFID Blanking Plugs	36
Handles and Accessories	40
Actuators and Accessories	46
Inductive Sensor and Mechanical Limit Switches	70
Vent-IGEL	72
Exploded View Leakage Butterfly Valve and Accessories	73
Leakage Butterfly Valves and Accessories	74
Ball Valves and Accessories	82
Vent and Exhaust Valves and Accessories	90
Ball Cocks and Vacuum Valve	92
Non-Return Valves	94
Sampling Valves and Accessories	100

* An asterisk in the pricing column means: on request

Tried and Tested Valves for Any Occasion

ATEX Directive 2014/34/EU

Armaturenwerk Hötensleben GmbH is using the revised catalog to present its proven and expanded range of valves. Specifically with the butterfly valve, we are describing the AWH product with its versatile variants and accessories.

ATEX butterfly valves:

Definition:

As a rule, all electronic and non-electronic components which are deployed in accordance with their intended use in explosion-hazard spaces must be tested pursuant to ATEX Directive 2014/34/EU.

Subsequent to the conformity evaluation, first of all an ATEX analysis is performed which includes an ignition hazard assessment (in accordance with DIN EN ISO 80079-36, Non-electrical equipment for use in potentially explosive atmospheres, Part 1: Basic method and requirements).

If this assessment reveals that no danger of ignition exists or if the definitions for equipment and components pursuant to Directive 2014/34/EU do not apply, then it can be determined that an application of the Directive is not required.

AWH butterfly valve:

With butterfly valves, a distinction is made between the inner and outer areas. When the product is inside the pipe, this is called the inner area. Manual operation or the actuator is assigned to the outer area.

Inner Area:

According to the expert report, the butterfly valve in ATEX design can be used in the area coming into contact with the product (inside the pipe) for the following ATEX zones:

When an EPDM, FKM and HNBR butterfly valve gasket are used, there is no restriction for the zones nor for the hazard class. Up to DN150 VMQ, there is no restriction for the zones nor the hazard class. The DN200 VMQ butterfly valve gasket is permitted to be used in Zone 0 and in the Hazard Classes IIA, IIB and in Zone 20. The use of this gasket for Explosion Group II C is not permitted. The seals installed in these butterfly valves have been inspected for electrostatic charge in accordance with DIN EN ISO 80079-36.

Outer area:

The handle is not equipment pursuant to the Directive and it is therefore subject to no limitations.

The pneumatic actuators (Air/Spring and Air/Air for the nominal widths DN10 - DN100, and for DN125 - DN200) have been investigated accordingly pursuant to the ATEX Directive and are



II 2 G Ex h IIB (T4) Gb $5^{\circ}\text{C} \leq T_a \leq 40^{\circ}\text{C}$
II 2 D Ex h IIIC T135 $^{\circ}\text{C}$ Db $5^{\circ}\text{C} \leq T_a \leq 40^{\circ}\text{C}$

These are permitted to be used in Zone 1 and Zone 21 operating establishments. For these applications, we also offer corresponding responses with approvals for Zones "1", "2" or "22" as accessories.

In contrast to the standard program, the components are identified with "ex" and are always equipped with a conductive bushing!

Tried and Tested Valves for Any Occasion

EHEDG, TA Air, DIN EN 14432

EHEDG Certification Type EL-Class I

The EHEDG certifies system components which are suitable for cleaning with fluids. This certification is based on EHEDG Recommendation No. 8 "Hygienic Design Criteria". AWH sampling valves are certified with Type EL- Class I. Type EL stands for "Equipment for Liquid Use"; Class I means CIP-ready. This certification applies to all AWH sampling valve variants with PTFE bellows.



TA-Air certifies AWH butterfly valves and Connections

In accordance with the precautionary principle, we are all under obligation to avoid all hazardous environmental effects and as a precautionary measures to do everything we can to ensure that no contaminations and damage occurs in the environment. This is regulated in a technical instruction, also known as TA-Luft (TA-Air). This is a central administrative regulation for the application of the emission protection law for which compliance is mandatory. AWH valves and Connections have been tested by an independent institute pursuant to the VDI2440 and correspond in their entirety to the requirements of TA-Air. Ensure even as early as the planning stages that only components in compliance with TA-Air are used in your systems. The declared objective of Armaturenwerk Hötensleben GmbH is to comply with this basic principle and thus to make a contribution towards more environmental protection in your company.

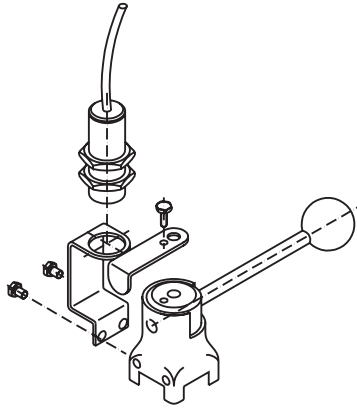


Valves for Transportation of Dangerous Substances acc. to DIN EN 14432

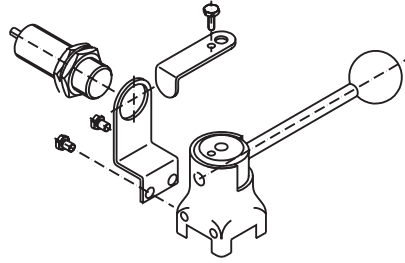
The tried-and-tested AWH butterfly valve is also available as a type-tested valve in accordance with DIN EN 14432. This certification means that the valve is extremely well-suited for use in tankers and containers that are used to transport dangerous substances and liquid chemical products by road, rail or water. Depending on the application requirements, AWH valves can be supplied with either hand actuation or a pneumatic actuator.



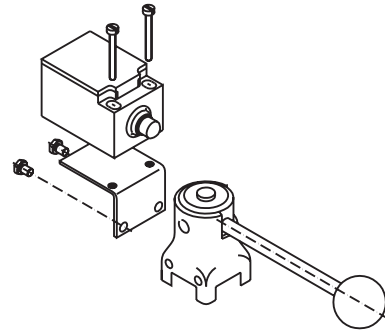
Overview of Handles and Accessories



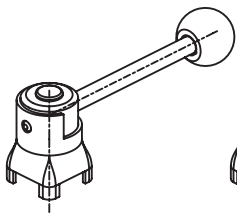
Proximity Initiator
(installation position vertical)



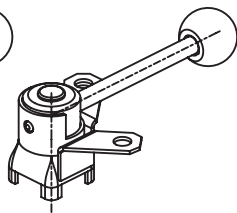
Proximity Initiator
(installation position horizontal)



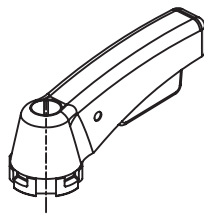
Mechanical Limit Switch



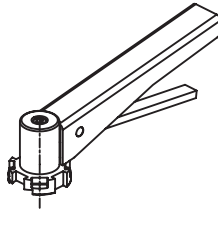
Standard Handle with Ball



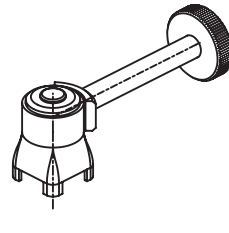
Standard Handle with ball, lockable



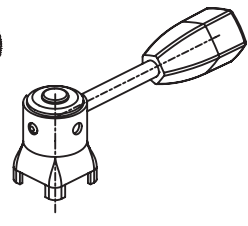
Plastic Handle



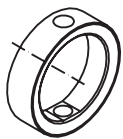
Scissor Handle



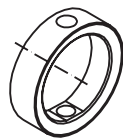
Handle, stepless



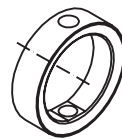
Pentagon Handle



Standard VMQ



FKM

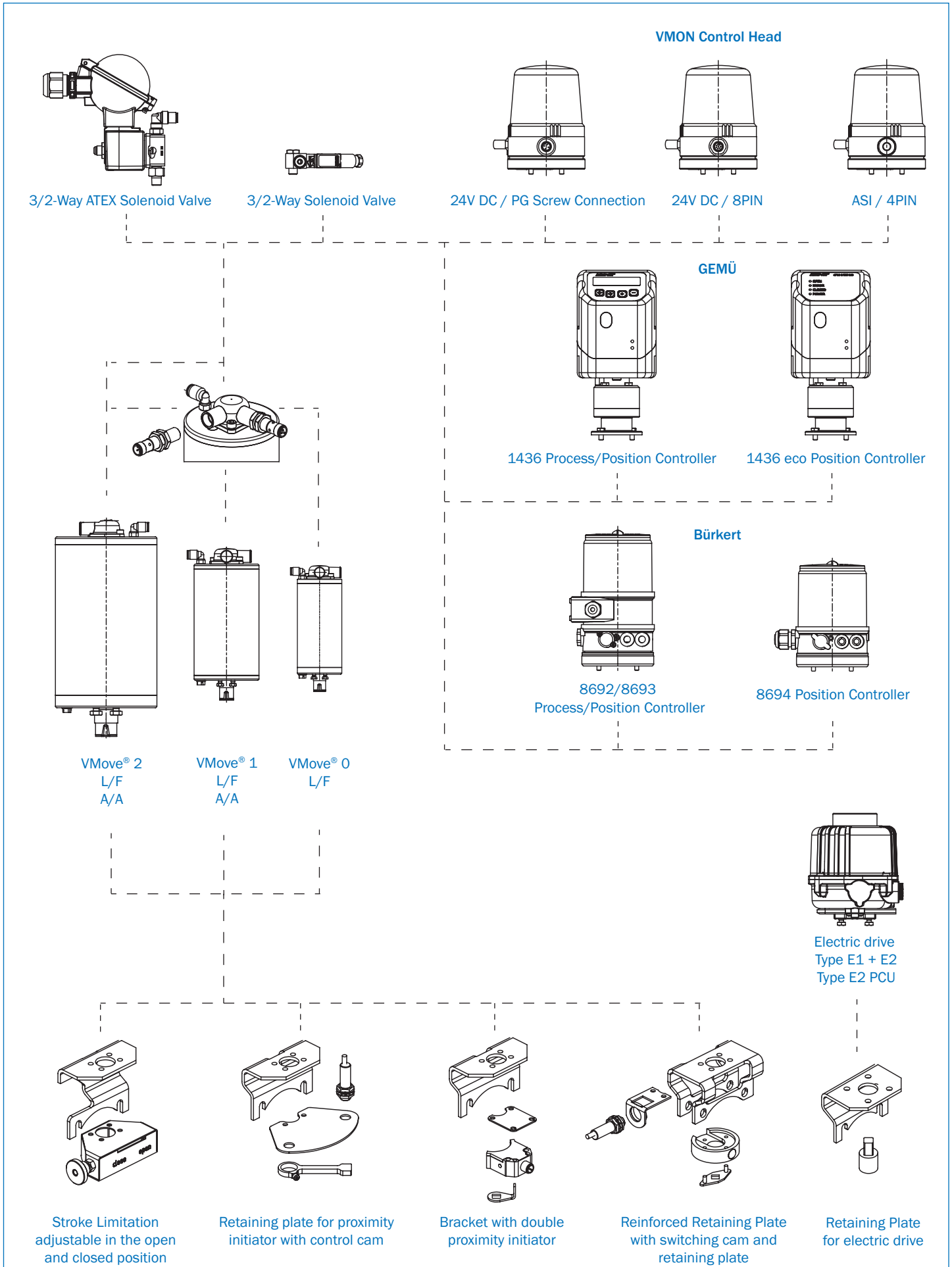


EPDM



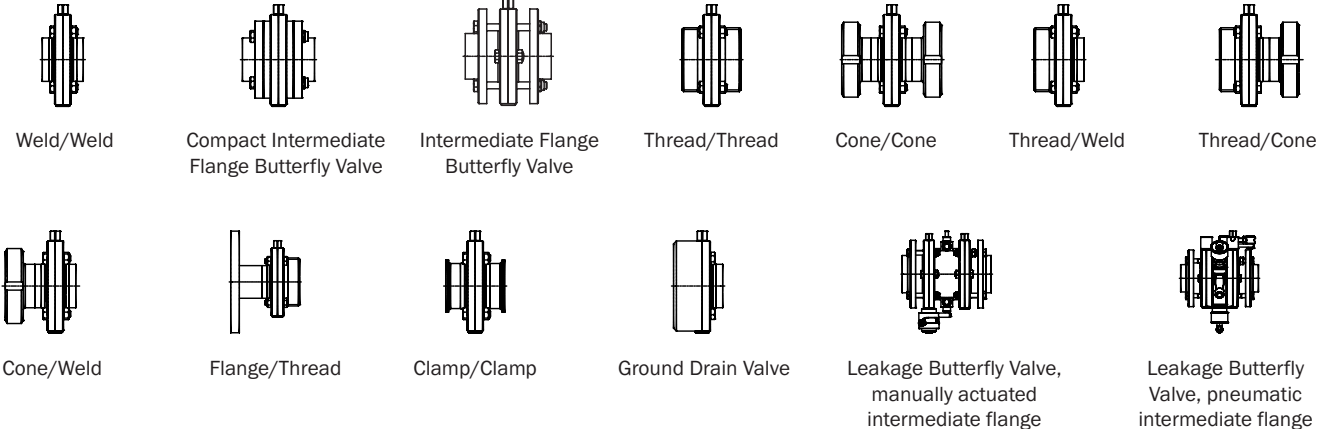
HNBR

Overview of Actuators and Accessories

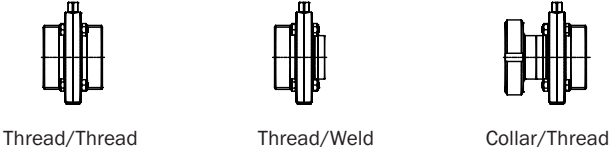


Overview of Butterfly Valves and Leakage Butterfly Valve Variants

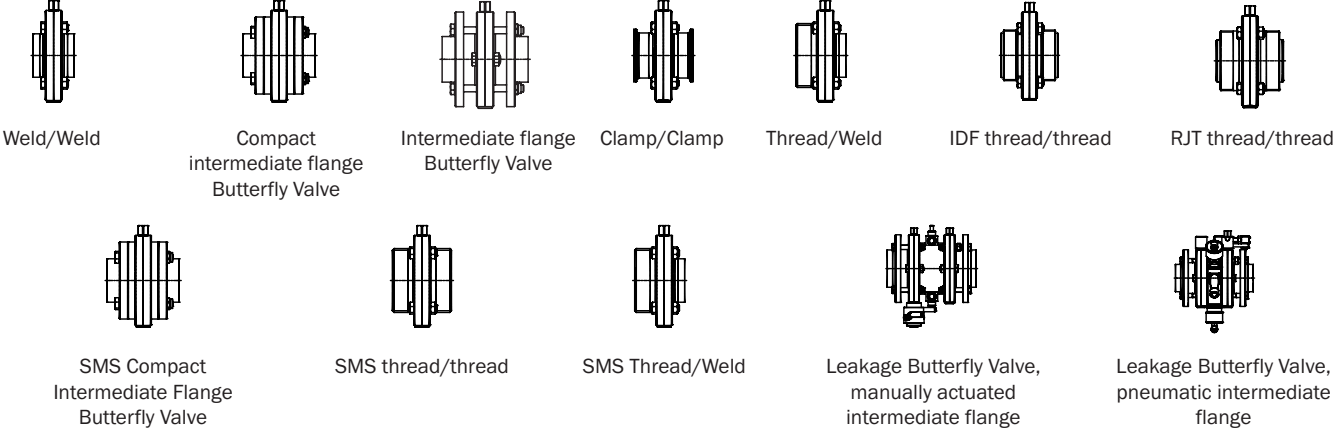
for pipe acc. to DIN EN 10357, Series A



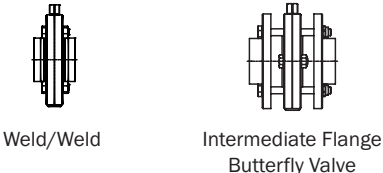
Connections acc. to DIN 11864



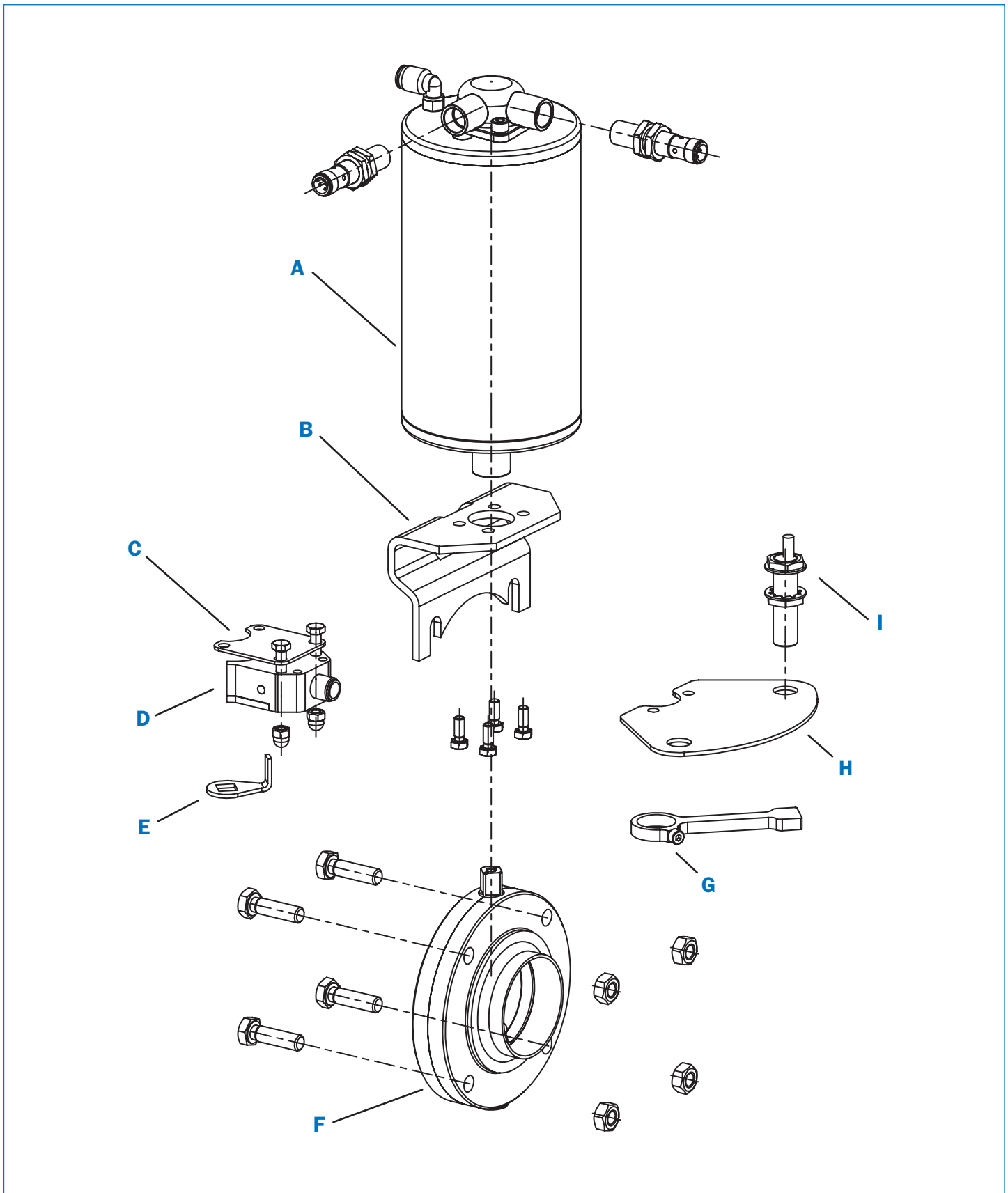
for pipe acc. to DIN EN 10357, Series D Range B



for pipe acc. to DIN EN 10357, Series C



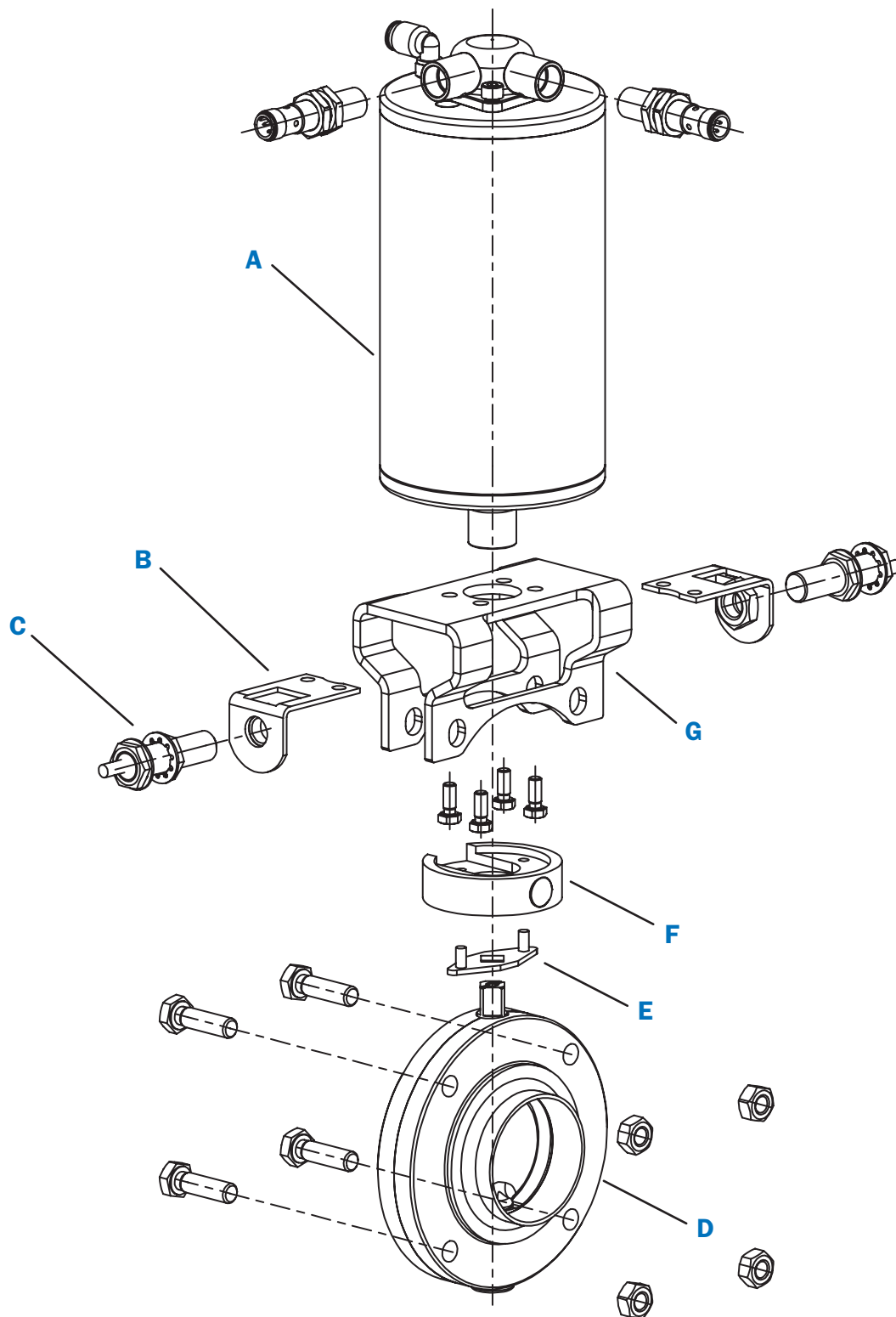
Configuration Example of Butterfly Valve



A Pneumatic actuator version VMove®
B Retaining plate
C Retaining plate for double inductive sensor
D Double inductive sensor
E Switching cam

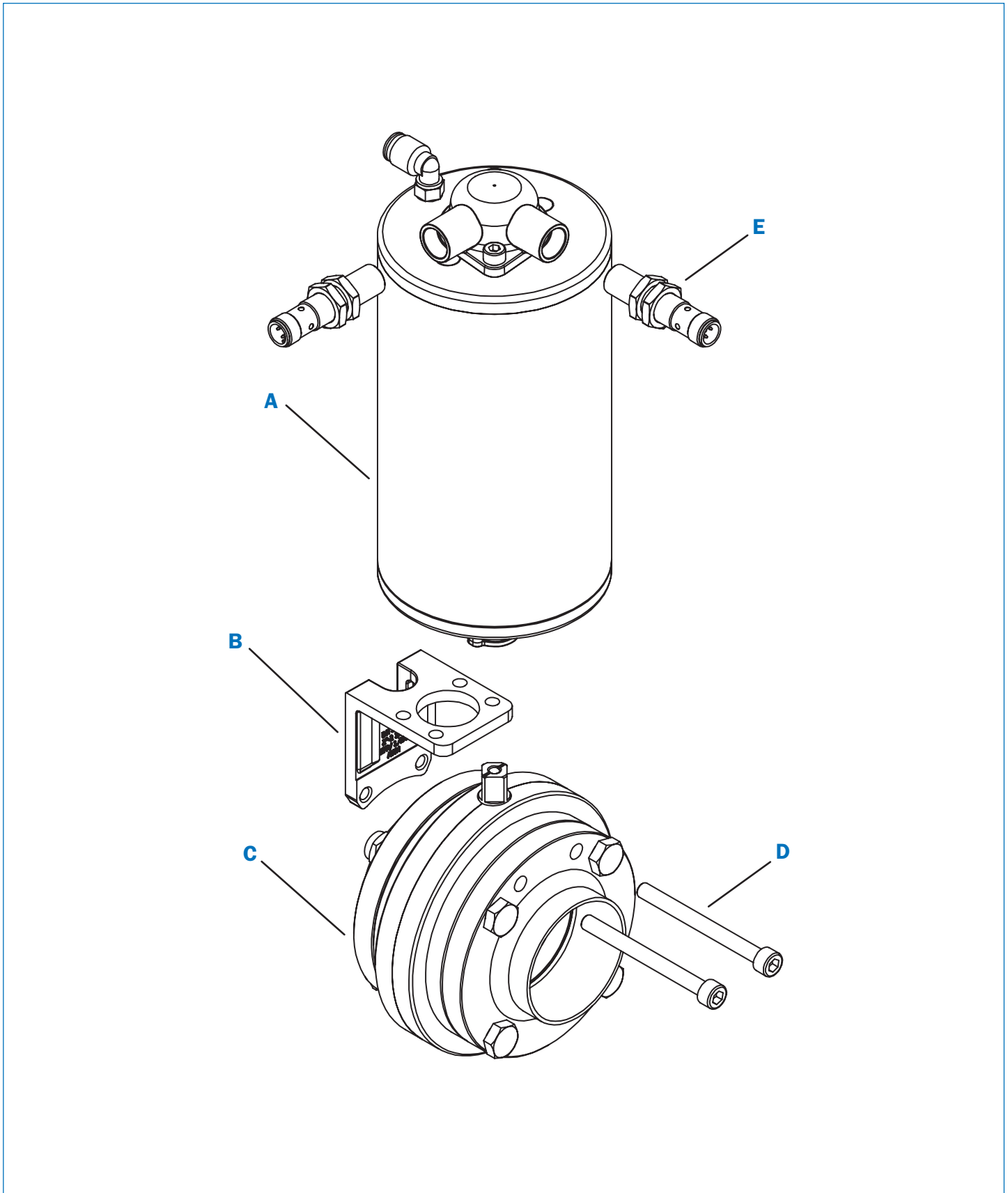
F Butterfly valve
G Control cam
H Retaining plate for inductive sensor
I Inductive sensor

Configuration Example of Butterfly Valve



- A** Pneumatic actuator version VMove®
- B** Retaining plate for inductive sensor
- C** Inductive sensor
- D** Butterfly valve

- E** Position indicator for reinforced retaining bracket
- F** Switching cams for reinforced retaining bracket
- G** Retaining plate, reinforced



A Pneumatic actuator version VMove®

B Retaining plate for compact intermediate flange butterfly valve

C Compact Intermediate Flange Butterfly Valve

D Fixing screws for Retaining Plate

E Inductive sensor

Technical Data, Butterfly Valves and Pneumatic Actuators

Technical Parameters for Butterfly Valve

Materials:	1.4301 (304), 1.4307 (304L), 1.4404 (316L)		
Materials (optional*):	1.4529 (AL6XN), 1.4539 (904L), 2.4602 (Hastelloy C22)		
Surface (standard):	in contact with product $Ra \leq 0.8 \mu\text{m}$ precision-turned outside		
Surface (optional*):	in contact with product $Ra \leq 0.4 \mu\text{m}$ additionally electropolished		
Operating temperature:	max. value depends on respective sealing material		
Operating pressure:	is max. 10 bar with NW 25 to 150 respectively sealing against 10 bar DN200: 6 bar		
Leak tightness:	Leakage rate A tight according to DIN EN 12266-1		
Service life of the pneumatic actuator: (in standard liters)	DN10 - 20 0.6 - 1.7	DN25 - 100 0.3 - 3.1	DN125 - 200 3.2 - 8.8

* for selected models

Kv value

The Kv value describes the rate of flow in m^3/h of water at $5 - 30^\circ\text{C}$ with a pressure loss of $\Delta p = 1 \text{ bar}$.

DN	10	15	20	25	32	40	50	65	80	100	125	150	200	1"	1 1/2"	2"	2 1/2"	3"	4"
Kv	1	9	9	19	37	60	136	310	465	785	1370	2070	3900	10	51	132	248	397	800

For this, $\Delta p = p_1 - p_2$

when: p_1 = pressure at the valve inlet
 p_2 = pressure at the valve outlet
and one with a valve disk opened 90°

Description of Pneumatic Actuators

AWH has a wide range of actuators for any application!

AWH offers a wide assortment of pneumatic actuators for AWH butterfly valves. Robust and compact, highly reliable and with an ideal torque curve for any application, even at high process temperatures.

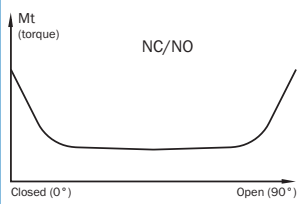
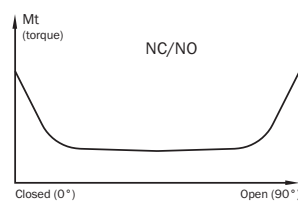
Type Actuator	VMove® 0	VMove® 1	VMove® 2
Square	9.5	9.5	14
Butterfly Valve	DN10 - DN20 (40)	DN25 - DN100	DN125 - DN200
T-butterfly valve		DN25 - DN100	
Leakage butterfly valve		DN25 - DN100	DN125 - DN150
Ball valve		DN32 - DN65	DN80 - DN100

The torque for opening/closing the valve is determined essentially by the size, the sealing material, the product and the media temperature. Given that the volume of an elastomer changes approximately ten times more than steel when exposed to temperature changes, an increase in torque is also connected with an increase in temperature.

The elastomers of the butterfly valve gaskets contain the surface friction-reducing substances. The torque will also become less when products are conveyed that have lubricating effects (milk). Cleaning agents wash out the lubricating substances on the sealing surface and lead to an increase of the torque. AWH butterfly valves are designed in such a way that they can be switched at the maximum permitted operating temperature by AWH actuators. The actuators have torque characteristic curves which are adapted to the torque sequences of the butterfly valves.

The media pressure, on the other hand, has no influence on the switching behavior. High flow rates support the closing used for the actuation of the butterfly valve. Here the speed of the switching must be lowered with suitable means (throttle check valves in the compressed air line).

Technical Data, Butterfly Valves and Pneumatic Actuators

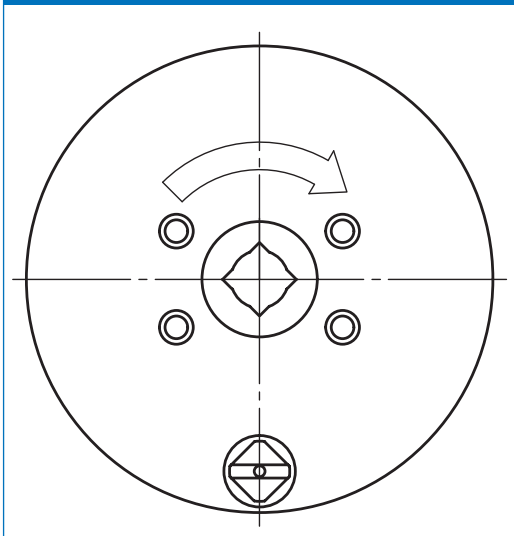
Type	NC-NO	Air/Air
Functional principle	LO/FS	
Torque curve		
Compressed Air Connection	5 - 10 bar	3 - 6 bar
Special features	This actuator has united the torque characteristics of NC and NO. The maximum torque is available in both end positions	Due to its design, the air/air variant has a very high torque at very low pressure. Typical usage with T-Butterfly Valves.

Limitations with respect to permitted air pressures exist for the actuators with control heads/position controllers. Here the max. air pressure is reduced by the pilot valves to 7 bar.

AWH actuators with an L/F function are available with clockwise rotation. Clockwise rotation means: When looking from below at the actuator shaft, the actuator shaft turns clockwise (to the right) after compressed air is supplied.

Standard: Clockwise

View of the actuator shaft from below



Notes:

The position indication must be monitored accordingly. Leakage butterfly valves can be actuated only with actuators turning clockwise!

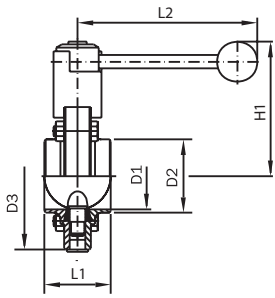
The Air/Air actuator requires compressed air for each switching procedure. This must always be ready and available in this Connection, otherwise the butterfly valve can switch automatically through the product flow. If the compressed air fails, it will not be possible to define the valve position precisely.

Over the course of 2020, we will phase out the old AWH standard actuator and deliver all butterfly valves with the Vmove®. The part numbers for pneumatic valves change as follows:

Please take the respective part number and replace the 7th and 8th part number. Digit by 52 for L/F and 54 for L/L.

Example: 3002 0730 1 → 3002 0752 1
 3002 0720 1 → 3002 0754 1

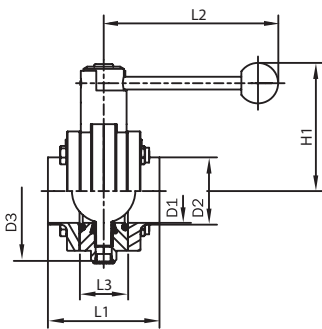
Butterfly Valves



Attention: DN10 to DN20
only with plastic Handle

Butterfly Valve Weld/Weld DIN

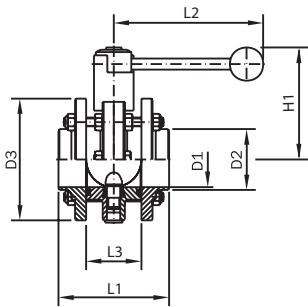
DN DIN	L1	L2	H1	D1	D2	D3	Weight [kg]
10	40	105	79	10	13	58	0.6
15	40	105	79	16	19	58	0.6
20	40	105	79	20	23	58	0.6
25	40	107	90	26	29	87	1.3
32	42	107	92	32	35	92	1.4
40	50	137	94	38	41	97	1.5
50	50	137	101	50	53	110	1.8
65	50	137	110	66	70	127	2.2
80	60	167	123	81	85	142	4.0
100	64	167	134	100	104	162	4.8
125	112	248	168	125	129	200	8.1
150	124	248	183	150	154	230	10.3



Attention: DN10 to DN20
only with plastic Handle

Compact Intermediate Flange Butterfly Valve DIN

DN DIN	L1	L3	L2	H1	D1	D2	D3	Weight [kg]
10	80	40	105	79.5	10	13	58	1.1
15	80	40	105	79.5	16	19	58	1.0
20	80	40	105	79.5	20	23	58	0.9
25	78	38	107.5	90	26	29	78	2.4
32	78	38	107.5	92.5	32	35	78	2.5
40	88	38	137.5	94.5	38	41	97	2.6
50	88	38	137.5	101	50	53	110	3.1
65	88	38	137.5	110	66	70	127	3.7
80	105	45	171	124.5	81	85	142	6.1
100	105	45	171	135	100	104	162	7.6
125	168	88	217	161	125	129	200	16.4
150	168	88	217	175	150	154	230	19.9
200	112	56	277	220	200	204	316	28.5



Attention: DN10 to DN20
only with plastic Handle

Intermediate Flange Butterfly Valve DIN

DN DIN	L1	L3	L2	H1	D1	D2	D3	Weight [kg]
10	80	40	105	79	10	13	58	0.6
15	80	40	105	79	16	19	58	0.6
20	80	40	105	79	20	23	58	0.6
25	90	50	107	90	26	31	87	2.4
32	90	50	107	92	32	37	92	2.6
40	100	50	137	94	38	43	97	2.8
50	100	50	137	101	50	55	110	3.4
65	100	50	137	110	66	70	127	4.1
80	136	76	167	123	81	85	142	7.4
100	136	76	167	134	100	104	162	8.8
125	168	88	248	168	125	129	200	15.1
150	168	88	248	183	150	154	230	18.4
200	112	56	276	220	200	204	274	26.2

Butterfly Valves

Butterfly Valve Weld/Weld DIN

DN DIN	manually actuated 1.4301 (304) Silicone		manually actuated 1.4404 (316L) Silicone		Air/Spring 1.4301 (304) Silicone		Air/Spring 1.4404 (316L) Silicone		Air/Air 1.4301 (304) Silicone		Air/Air 1.4404 (316L) Silicone	
	Price/EUR	Article No.	Price/EUR	Article No.	Price/EUR	Article No.	Price/EUR	Article No.	Price/EUR	Article No.	Price/EUR	Article No.
10	88.60	3002 0106 1	112.85	3002 0106 2	305.35	3002 0130 1	329.65	3002 0130 2				
15	88.60	3002 0306 1	112.85	3002 0306 2	305.35	3002 0330 1	329.65	3002 0330 2				
20	88.60	3002 0406 1	112.85	3002 0406 2	305.35	3002 0430 1	329.65	3002 0430 2				
25	74.24	3002 0501 1	96.61	3002 0501 2	277.86	3002 0530 1	300.23	3002 0530 2	263.95	3002 0520 1	286.32	3002 0520 2
32	79.43	3002 0601 1	102.87	3002 0601 2	283.05	3002 0630 1	306.49	3002 0630 2	269.14	3002 0620 1	292.59	3002 0620 2
40	78.53	3002 0701 1	103.97	3002 0701 2	282.16	3002 0730 1	307.59	3002 0730 2	268.25	3002 0720 1	293.69	3002 0720 2
50	84.13	3002 0801 1	109.11	3002 0801 2	287.76	3002 0830 1	312.89	3002 0830 2	273.85	3002 0820 1	298.98	3002 0820 2
65	103.20	3002 0901 1	133.78	3002 0901 2	306.83	3002 0930 1	337.40	3002 0930 2	292.92	3002 0920 1	323.49	3002 0920 2
80	148.07	3002 1001 1	192.35	3002 1001 2	341.59	3002 1030 1	385.87	3002 1030 2	327.69	3002 1020 1	371.96	3002 1020 2
100	183.48	3002 1201 1	238.70	3002 1201 2	377.00	3002 1230 1	432.22	3002 1230 2	363.09	3002 1220 1	418.31	3002 1220 2
125	407.86	3002 1301 1	530.62	3002 1301 2	956.14	3002 1330 1	1078.90	3002 1330 2	895.55	3002 1320 1	1018.31	3002 1320 2
150	592.56	3002 1501 1	766.61	3002 1501 2	1144.17	3002 1530 1	1318.21	3002 1530 2	1083.58	3002 1520 1	1257.62	3002 1520 2

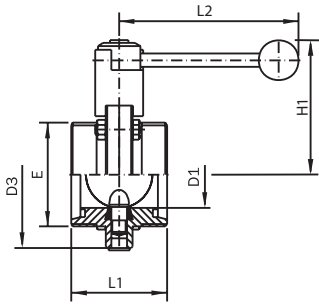
Compact Intermediate Flange Butterfly Valve DIN

DN DIN	manually actuated 1.4301 (304) Silicone		manually actuated 1.4404 (316L) Silicone		VMove® air/spring 1.4301 (304) Silicone		VMove® air/spring 1.4404 (316L) Silicone	
	Price/EUR	Article No.	Price/EUR	Article No.	Price/EUR	Article No.	Price/EUR	Article No.
10	176.85	3255 1100 01010	210.10	3255 1100 01030	393.60	3255 2100 01010	426.85	3255 2100 01030
15	176.85	3255 1100 01510	210.10	3255 1100 01530	393.60	3255 2100 01510	426.85	3255 2100 01530
20	176.85	3255 1100 02010	210.10	3255 1100 02030	393.60	3255 2100 02010	426.85	3255 2100 02030
25	131.22	3255 1100 02510	171.13	3255 1100 02530	334.85	3255 2100 02510	374.75	3255 2100 02530
32	138.00	3255 1100 03210	179.69	3255 1100 03230	341.62	3255 2100 03210	383.32	3255 2100 03230
40	140.84	3255 1100 04010	183.12	3255 1100 04030	344.46	3255 2100 04010	386.74	3255 2100 04030
50	146.56	3255 1100 05010	191.25	3255 1100 05030	350.18	3255 2100 05010	394.87	3255 2100 05030
65	185.27	3255 1100 06510	241.18	3255 1100 06530	388.89	3255 2100 06510	444.80	3255 2100 06530
80	266.54	3255 1100 08010	322.14	3255 1100 08030	460.06	3255 2100 08010	515.66	3255 2100 08030
100	324.85	3255 1100 10010	422.66	3255 1100 10030	518.37	3255 2100 10010	616.18	3255 2100 10030
125	937.91	3255 1100 12510	1218.56	3255 1100 12530	1486.20	3255 2100 12510	1766.85	3255 2100 12530
150	1335.11	3255 1100 15010	1734.46	3255 1100 15030	1845.30	3255 2100 15010	2286.06	3255 2100 15030
200	2820.05	3255 1100 20010	3384.10	3255 1100 20030	3370.05	3255 2100 20010	3934.10	3255 2100 20030

Intermediate Flange Butterfly Valve DIN

DN DIN	manually actuated 1.4301 (304) Silicone		manually actuated 1.4404 (316L) Silicone		Air/Spring 1.4301 (304) Silicone		Air/Spring 1.4404 (316L) Silicone		Air/Air 1.4301 (304) Silicone		Air/Air 1.4404 (316L) Silicone	
	Price/EUR	Article No.	Price/EUR	Article No.	Price/EUR	Article No.	Price/EUR	Article No.	Price/EUR	Article No.	Price/EUR	Article No.
10	176.85	3202 0106 1	210.10	3202 0106 2	393.60	3202 0130 1	426.85	3202 0130 2				
15	176.85	3202 0306 1	210.10	3202 0306 2	393.60	3202 0330 1	426.85	3202 0330 2				
20	176.85	3202 0406 1	210.10	3202 0406 2	393.60	3202 0430 1	426.85	3202 0430 2				
25	131.22	3202 0501 1	171.13	3202 0501 2	334.85	3202 0530 1	374.75	3202 0530 2	320.94	3202 0520 1	360.84	3202 0520 2
32	138.00	3202 0601 1	179.69	3202 0601 2	341.62	3202 0630 1	383.32	3202 0630 2	327.71	3202 0620 1	369.41	3202 0620 2
40	140.84	3202 0701 1	183.12	3202 0701 2	344.46	3202 0730 1	386.74	3202 0730 2	330.55	3202 0720 1	372.83	3202 0720 2
50	146.56	3202 0801 1	191.25	3202 0801 2	350.18	3202 0830 1	394.87	3202 0830 2	336.28	3202 0820 1	380.96	3202 0820 2
65	185.27	3202 0901 1	241.18	3202 0901 2	388.89	3202 0930 1	444.80	3202 0930 2	374.98	3202 0920 1	430.89	3202 0920 2
80	266.54	3202 1001 1	322.14	3202 1001 2	460.06	3202 1030 1	515.66	3202 1030 2	446.15	3202 1020 1	501.76	3202 1020 2
100	324.85	3202 1201 1	422.66	3202 1201 2	518.37	3202 1230 1	616.18	3202 1230 2	504.47	3202 1220 1	602.28	3202 1220 2
125	937.91	3202 1301 1	1218.56	3202 1301 2	1486.20	3202 1330 1	1766.85	3202 1330 2	1425.61	3202 1320 1	1706.26	3202 1320 2
150	1335.11	3202 1501 1	1734.46	3202 1501 2	1845.30	3202 1530 1	2286.06	3202 1530 2	1826.13	3202 1520 1	2225.47	3202 1520 2
200	2820.05	3202 2001 1	3384.10	3202 2001 2	3370.05	3202 2030 1	3934.10	3202 2030 2	3875.21	3202 2020 1	4439.26	3202 2020 2

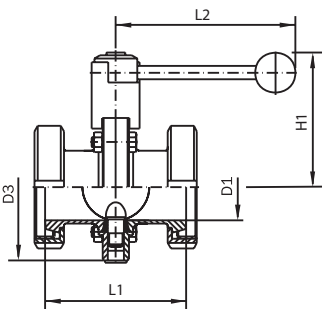
Butterfly Valves



Attention: DN10 to DN20
only with plastic Handle

Butterfly Valve Thread/Thread DIN

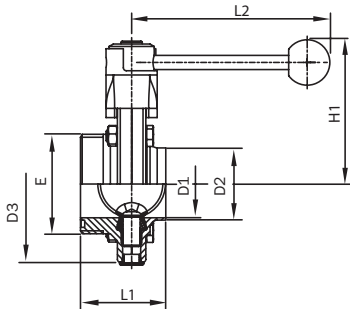
DN DIN	L1	L2	H1	D1	D3	E	Weight [kg]
10	78	105	79	10	58	Rd 28 x 1/8"	0.8
15	78	105	79	16	58	Rd 34 x 1/8"	0.8
20	78	105	79	20	58	Rd 44 x 1/6"	0.8
25	64	107	90	26	87	Rd 52 x 1/6"	1.7
32	64	107	92	32	92	Rd 58 x 1/6"	1.8
40	72	137	94	38	97	Rd 65 x 1/6"	2.0
50	72	137	101	50	110	Rd 78 x 1/6"	2.4
65	76	137	110	66	127	Rd 95 x 1/6"	3.1
80	100	167	123	81	142	Rd 110 x 1/4"	5.2
100	104	167	134	100	162	Rd 130 x 1/4"	6.5
125	112	248	168	125	200	Rd 160 x 1/4"	10.2
150	124	248	183	150	230	Rd 190 x 1/4"	13.9



Attention: DN10 to DN20
only with plastic Handle

Butterfly Valve Cone/Cone DIN

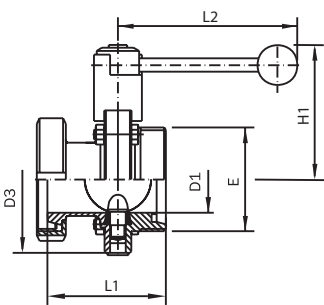
DN DIN	L1	L2	H1	D1	D3	Weight [kg]
10	74	105	79	10	58	0.6
15	74	105	79	16	58	0.6
20	76	105	79	20	58	0.6
25	84	107	90	26	87	2.0
32	92	107	92	32	92	2.2
40	102	137	94	38	97	2.6
50	106	137	101	50	110	3.5
65	114	137	110	66	127	4.3
80	134	167	123	81	142	7.3
100	152	167	134	100	162	9.9
125	180	248	168	125	200	11.8
150	198	248	183	150	230	15.2



Attention: DN10 to DN20
only with plastic Handle

Butterfly Valve Thread/Weld DIN

DN DIN	L1	L2	H1	D1	D2	D3	E	Weight [kg]
10	59	105	79	10	13	58	Rd 28 x 1/8"	0.7
15	59	105	79	16	19	58	Rd 34 x 1/8"	0.7
20	59	105	79	20	23	58	Rd 44 x 1/6"	0.7
25	52	107	90	26	29	87	Rd 52 x 1/6"	1.5
32	53	107	92	32	35	92	Rd 58 x 1/6"	1.6
40	61	137	94	38	41	97	Rd 65 x 1/6"	1.8
50	61	137	101	50	53	110	Rd 78 x 1/6"	2.1
65	63	137	110	66	70	127	Rd 95 x 1/6"	2.6
80	80	167	123	81	85	142	Rd 110 x 1/4"	4.6
100	84	167	134	100	104	162	Rd 130 x 1/4"	5.6
125	112	248	168	125	129	200	Rd 160 x 1/4"	9.2
150	124	248	183	150	154	230	Rd 190 x 1/4"	12.2



Attention: DN10 to DN20
only with plastic Handle

Butterfly Valve Thread/Cone DIN

DN DIN	L1	L2	H1	D1	D3	E	Weight [kg]
10	76	105	79	10	58	Rd 28 x 1/8"	0.7
15	76	105	79	16	58	Rd 34 x 1/8"	0.7
20	76	105	79	20	58	Rd 44 x 1/6"	0.7
25	74	107	90	26	87	Rd 52 x 1/6"	1.8
32	78	107	92	32	92	Rd 58 x 1/6"	1.9
40	87	137	94	38	97	Rd 65 x 1/6"	2.2
50	89	137	101	50	110	Rd 78 x 1/6"	2.7
65	95	137	110	66	127	Rd 95 x 1/6"	3.4
80	117	167	123	81	142	Rd 110 x 1/4"	5.6
100	128	167	134	100	162	Rd 130 x 1/4"	7.1
125	146	248	168	125	200	Rd 160 x 1/4"	11.4
150	161	248	183	150	230	Rd 190 x 1/4"	15.6

Butterfly Valves

Butterfly Valve Thread/Thread DIN

manually actuated 1.4301 (304) Silicone		manually actuated 1.4404 (316L) Silicone		Air/Spring 1.4301 (304) Silicone		Air/Spring 1.4404 (316L) Silicone		Air/Air 1.4301 (304) Silicone		Air/Air 1.4404 (316L) Silicone		
DN DIN	Price/EUR	Article No.	Price/EUR	Article No.	Price/EUR	Article No.	Price/EUR	Article No.	Price/EUR	Article No.	Price/EUR	Article No.
10	103.60	3003 0106 1	127.85	3003 0106 2	320.35	3003 0130 1	344.65	3003 0130 2				
15	103.60	3003 0306 1	127.85	3003 0306 2	320.35	3003 0330 1	344.65	3003 0330 2				
20	103.60	3003 0406 1	127.85	3003 0406 2	320.35	3003 0430 1	344.65	3003 0430 2				
25	80.63	3003 0501 1	104.81	3003 0501 2	284.25	3003 0530 1	308.44	3003 0530 2	270.35	3003 0520 1	294.53	3003 0520 2
32	83.06	3003 0601 1	108.32	3003 0601 2	286.68	3003 0630 1	311.94	3003 0630 2	272.77	3003 0620 1	298.03	3003 0620 2
40	86.25	3003 0701 1	110.46	3003 0701 2	289.88	3003 0730 1	314.09	3003 0730 2	275.97	3003 0720 1	300.18	3003 0720 2
50	92.83	3003 0801 1	119.95	3003 0801 2	296.45	3003 0830 1	323.57	3003 0830 2	282.54	3003 0820 1	309.66	3003 0820 2
65	109.95	3003 0901 1	137.72	3003 0901 2	313.58	3003 0930 1	341.34	3003 0930 2	299.67	3003 0920 1	327.43	3003 0920 2
80	163.56	3003 1001 1	212.65	3003 1001 2	357.09	3003 1030 1	406.17	3003 1030 2	343.18	3003 1020 1	392.26	3003 1020 2
100	198.30	3003 1201 1	257.61	3003 1201 2	391.83	3003 1230 1	451.14	3003 1230 2	377.92	3003 1220 1	437.23	3003 1220 2
125	424.93	3003 1301 1	552.30	3003 1301 2	973.22	3003 1330 1	1100.58	3003 1330 2	912.63	3003 1320 1	1039.99	3003 1320 2
150	624.70	3003 1501 1	798.80	3003 1501 2	1189.65	3003 1530 1	1374.10	3003 1530 2	1129.05	3003 1520 1	1313.50	3003 1520 2

Butterfly Valve Cone/Cone DIN

manually actuated 1.4301 (304) Silicone		manually actuated 1.4404 (316L) Silicone		Air/Spring 1.4301 (304) Silicone		Air/Spring 1.4404 (316L) Silicone		Air/Air 1.4301 (304) Silicone		Air/Air 1.4404 (316L) Silicone		
DN DIN	Price/EUR	Article No.	Price/EUR	Article No.	Price/EUR	Article No.	Price/EUR	Article No.	Price/EUR	Article No.	Price/EUR	Article No.
10	114.30	3004 0106 1	143.55	3004 0106 2	331.05	3004 0130 1	356.75	3004 0130 2				
15	119.45	3004 0306 1	146.25	3004 0306 2	336.20	3004 0330 1	363.05	3004 0330 2				
20	119.85	3004 0406 1	149.50	3004 0406 2	336.60	3004 0430 1	363.30	3004 0430 2				
25	108.60	3004 0501 1	141.55	3004 0501 2	312.22	3004 0530 1	345.17	3004 0530 2	298.31	3004 0520 1	331.27	3004 0520 2
32	116.55	3004 0601 1	151.39	3004 0601 2	320.17	3004 0630 1	355.02	3004 0630 2	306.26	3004 0620 1	341.11	3004 0620 2
40	118.88	3004 0701 1	154.26	3004 0701 2	322.50	3004 0730 1	357.88	3004 0730 2	308.59	3004 0720 1	343.97	3004 0720 2
50	127.90	3004 0801 1	166.35	3004 0801 2	331.52	3004 0830 1	369.97	3004 0830 2	317.61	3004 0820 1	356.06	3004 0820 2
65	169.98	3004 0901 1	220.93	3004 0901 2	373.60	3004 0930 1	424.55	3004 0930 2	359.69	3004 0920 1	410.64	3004 0920 2
80	295.71	3004 1001 1	318.59	3004 1001 2	489.23	3004 1030 1	512.11	3004 1030 2	475.32	3004 1020 1	498.20	3004 1020 2
100	302.61	3004 1201 1	393.26	3004 1201 2	496.13	3004 1230 1	586.78	3004 1230 2	482.22	3004 1220 1	572.88	3004 1220 2
125	603.35	3004 1301 1	785.01	3004 1301 2	1151.63	3004 1330 1	1333.30	3004 1330 2	1091.05	3004 1320 1	1272.71	3004 1320 2
150	986.84	3004 1501 1	1283.16	3004 1501 2	1538.45	3004 1530 1	1834.77	3004 1530 2	1477.86	3004 1520 1	1774.18	3004 1520 2

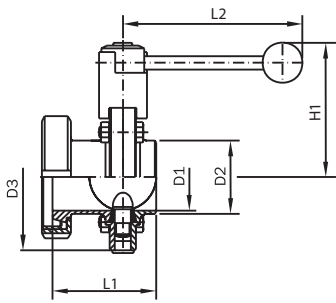
Butterfly Valve Thread/Weld DIN

manually actuated 1.4301 (304) Silicone		manually actuated 1.4404 (316L) Silicone		Air/Spring 1.4301 (304) Silicone		Air/Spring 1.4404 (316L) Silicone		Air/Air 1.4301 (304) Silicone		Air/Air 1.4404 (316L) Silicone		
DN DIN	Price/EUR	Article No.	Price/EUR	Article No.	Price/EUR	Article No.	Price/EUR	Article No.	Price/EUR	Article No.	Price/EUR	Article No.
10	96.10	3006 0106 1	120.35	3006 0106 2	312.85	3006 0130 1	337.15	3006 0130 2				
15	96.10	3006 0306 1	120.35	3006 0306 2	312.85	3006 0330 1	337.15	3006 0330 2				
20	96.10	3006 0406 1	120.35	3006 0406 2	312.85	3006 0430 1	337.15	3006 0430 2				
25	77.44	3006 0501 1	100.47	3006 0501 2	281.06	3006 0530 1	304.09	3006 0530 2	267.15	3006 0520 1	290.18	3006 0520 2
32	81.12	3006 0601 1	105.51	3006 0601 2	284.74	3006 0630 1	309.13	3006 0630 2	270.83	3006 0620 1	295.22	3006 0620 2
40	81.65	3006 0701 1	106.48	3006 0701 2	285.28	3006 0730 1	310.10	3006 0730 2	271.37	3006 0720 1	296.19	3006 0720 2
50	88.40	3006 0801 1	115.27	3006 0801 2	292.02	3006 0830 1	318.89	3006 0830 2	278.12	3006 0820 1	304.99	3006 0820 2
65	108.16	3006 0901 1	140.53	3006 0901 2	311.76	3006 0930 1	344.15	3006 0930 2	297.88	3006 0920 1	330.24	3006 0920 2
80	159.68	3006 1001 1	207.43	3006 1001 2	353.20	3006 1030 1	400.96	3006 1030 2	339.29	3006 1020 1	387.05	3006 1020 2
100	191.02	3006 1201 1	248.56	3006 1201 2	384.54	3006 1230 1	442.09	3006 1230 2	370.64	3006 1220 1	428.18	3006 1220 2
125	416.40	3006 1301 1	541.46	3006 1301 2	964.68	3006 1330 1	1089.74	3006 1330 2	904.09	3006 1320 1	1029.15	3006 1320 2
150	608.63	3006 1501 1	782.71	3006 1501 2	1166.91	3006 1530 1	1346.16	3006 1530 2	1106.32	3006 1520 1	1285.56	3006 1520 2

Butterfly Valve Thread/Cone DIN

manually actuated 1.4301 (304) Silicone		manually actuated 1.4404 (316L) Silicone		Air/Spring 1.4301 (304) Silicone		Air/Spring 1.4404 (316L) Silicone		Air/Air 1.4301 (304) Silicone		Air/Air 1.4404 (316L) Silicone		
DN DIN	Price/EUR	Article No.	Price/EUR	Article No.	Price/EUR	Article No.	Price/EUR	Article No.	Price/EUR	Article No.	Price/EUR	Article No.
10	108.95	3005 0106 1	135.70	3005 0106 2	325.70	3005 0130 1	350.70	3005 0130 2				
15	111.53	3005 0306 1	137.05	3005 0306 2	328.28	3005 0330 1	353.85	3005 0330 2				
20	111.73	3005 0406 1	138.68	3005 0406 2	328.48	3005 0430 1	353.98	3005 0430 2				
25	94.46	3005 0501 1	122.56	3005 0501 2	298.08	3005 0530 1	326.18	3005 0530 2	284.18	3005 0520 1	312.27	3005 0520 2
32	99.91	3005 0601 1	129.87	3005 0601 2	303.53	3005 0630 1	333.64	3005 0630 2	289.62	3005 0620 1	319.58	3005 0620 2
40	101.80	3005 0701 1	132.09	3005 0701 2	305.42	3005 0730 1	335.71	3005 0730 2	291.51	3005 0720 1	321.81	3005 0720 2
50	110.36	3005 0801 1	143.83	3005 0801 2	313.98	3005 0830 1	347.45	3005 0830 2	300.08	3005 0820 1	333.54	3005 0820 2
65	140.02	3005 0901 1	182.07	3005 0901 2	343.64	3005 0930 1	385.69	3005 0930 2	329.73	3005 0920 1	371.79	3005 0920 2
80	194.83	3005 1001 1	253.27	3005 1001 2	388.35	3005 1030 1	446.79	3005 1030 2	374.44	3005 1020 1	432.89	3005 1020 2
100	249.05	3005 1201 1	324.31	3005 1201 2	442.57	3005 1230 1	517.84	3005 1230 2	428.67	3005 1220 1	503.62	3005 1220 2
125	500.43	3005 1301 1	650.95	3005 1301 2	1048.71	3005 1330 1	1199.24	3005 1330 2	988.12	3005 1320 1	1138.65	3005 1320 2
150	785.96	3005 1501 1	1016.60	3005 1501 2	1337.57	3005 1530 1	1573.32	3005 1530 2	1276.98	3005 1520 1	1512.73	3005 1520 2

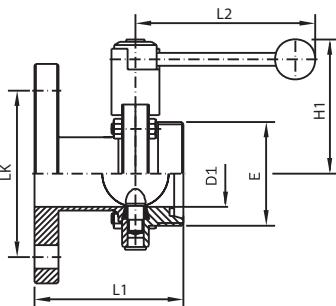
Butterfly Valves



Attention: DN10 to DN20
only with plastic Handle

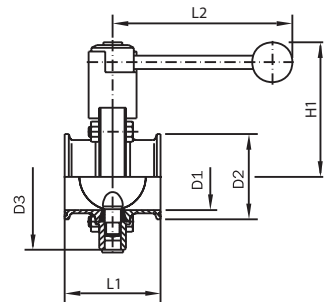
Butterfly Valve Cone/Weld DIN

DN DIN	L1	L2	H1	D1	D2	D3	Weight [kg]
10	57	105	79	10	13	58	0.6
15	57	105	79	16	19	58	0.6
20	57	105	79	20	23	58	0.6
25	62	107	90	26	31	87	1.6
32	67	107	92	32	37	92	1.8
40	76	137	94	38	43	97	2.1
50	78	137	101	50	55	110	2.7
65	82	137	110	66	70	127	3.2
80	97	167	123	81	85	142	5.6
100	108	167	134	100	104	162	7.4
125	146	248	168	125	129	200	10.7
150	161	248	183	150	154	230	13.3



Butterfly Valve Thread/Flange PN 10 DIN

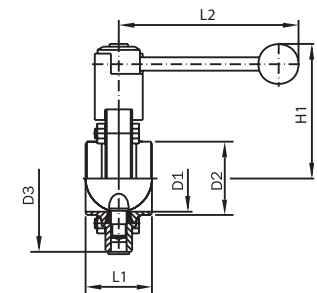
DN DIN	L1	L2	H1	D1	RC	E	Weight [kg]
25	106	107	90	26	85	Rd 52 x 1/6"	2.6
32	106	107	92	32	100	Rd 58 x 1/6"	3.2
40	110	137	94	38	110	Rd 65 x 1/6"	3.6
50	112	137	101	50	125	Rd 78 x 1/6"	4.6
65	122	137	110	66	145	Rd 95 x 1/6"	5.6
80	135	167	123	81	160	Rd 110 x 1/4"	8.0
100	140	167	134	100	180	Rd 130 x 1/4"	9.6
125	167	248	168	125	210	Rd 160 x 1/4"	15.5
150	182	248	183	150	240	Rd 190 x 1/4"	20.0



Attention: DN10 to DN20
only with plastic Handle

Butterfly Valve Clamp/Clamp DIN

DN DIN	L1	L2	H1	D1	D2	D3	Weight [kg]
10	76	105	79	10	34	58	0.6
15	76	105	79	16	34	58	0.6
20	76	105	79	20	34	58	0.6
25	64	107	90	26	50.5	87	1.5
32	64	107	92	32	50.5	92	1.5
40	72	137	94	38	50.5	97	1.7
50	72	137	101	50	64	110	1.9
65	76	137	110	66	91	127	2.4
80	90	167	123	81	106	142	4.4
100	104	167	134	100	119	162	5.2



Butterfly Valve Weld/Weld DIN for ISO pipe

DN ISO	L1	L2	H1	D1	D2	D3	Weight [kg]
33.7	40	107	90	29.7	33.7	87	1.3
42.4	42	107	92	38.4	42.4	92	1.4
48.3	50	137	94	44.3	48.3	97	1.5
60.3	50	137	101	56.3	60.3	110	1.8
76.1	50	137	110	72.1	76.1	127	2.2
88.9	60	167	123	84.3	88.9	142	4.0
114.3	64	167	134	109.7	114.3	162	4.8

Butterfly Valves

Butterfly Valve Cone/Weld DIN

DN DIN	manually actuated 1.4301 (304) Silicone		manually actuated 1.4404 (316L) Silicone		Air/Spring 1.4301 (304) Silicone		Air/Spring 1.4404 (316L) Silicone		Air/Air 1.4301 (304) Silicone		Air/Air 1.4404 (316L) Silicone	
	Price/EUR	Article No.	Price/EUR	Article No.	Price/EUR	Article No.	Price/EUR	Article No.	Price/EUR	Article No.	Price/EUR	Article No.
10	101.45	3007 0106 1	128.20	3007 0106 2	318.20	3007 0130 1	343.20	3007 0130 2				
15	104.03	3007 0306 1	129.55	3007 0306 2	320.78	3007 0330 1	346.35	3007 0330 2				
20	104.23	3007 0406 1	131.18	3007 0406 2	320.98	3007 0430 1	346.48	3007 0430 2				
25	91.42	3007 0501 1	118.93	3007 0501 2	295.03	3007 0530 1	322.55	3007 0530 2	281.13	3007 0520 1	308.64	3007 0520 2
32	97.94	3007 0601 1	127.36	3007 0601 2	301.56	3007 0630 1	330.98	3007 0630 2	287.65	3007 0620 1	317.08	3007 0620 2
40	98.70	3007 0701 1	127.36	3007 0701 2	302.33	3007 0730 1	332.80	3007 0730 2	288.42	3007 0720 1	318.89	3007 0720 2
50	105.97	3007 0801 1	137.38	3007 0801 2	309.59	3007 0830 1	341.01	3007 0830 2	295.68	3007 0820 1	327.10	3007 0820 2
65	138.33	3007 0901 1	180.46	3007 0901 2	341.95	3007 0930 1	384.08	3007 0930 2	328.04	3007 0920 1	370.18	3007 0920 2
80	193.83	3007 1001 1	251.91	3007 1001 2	387.35	3007 1030 1	445.44	3007 1030 2	373.45	3007 1020 1	431.53	3007 1020 2
100	244.53	3007 1201 1	317.54	3007 1201 2	438.05	3007 1230 1	511.06	3007 1230 2	424.14	3007 1220 1	497.15	3007 1220 2
125	507.33	3007 1301 1	659.34	3007 1301 2	1055.61	3007 1330 1	1207.62	3007 1330 2	995.03	3007 1320 1	1146.98	3007 1320 2
150	790.61	3007 1501 1	1028.36	3007 1501 2	1342.22	3007 1530 1	1579.97	3007 1530 2	1281.63	3007 1520 1	1519.38	3007 1520 2

Butterfly Valve Thread/Flange PN 10 DIN

DN DIN	manually actuated 1.4301 (304) Silicone		manually actuated 1.4404 (316L) Silicone		Air/Spring 1.4301 (304) Silicone		Air/Spring 1.4404 (316L) Silicone		Air/Air 1.4301 (304) Silicone		Air/Air 1.4404 (316L) Silicone	
	Price/EUR	Article No.	Price/EUR	Article No.	Price/EUR	Article No.	Price/EUR	Article No.	Price/EUR	Article No.	Price/EUR	Article No.
25	123.07	3012 0501 1	159.60	3012 0501 2	326.69	3012 0530 1	363.22	3012 0530 2	312.78	3012 0520 1	349.31	3012 0520 2
32	156.51	3012 0601 1	203.16	3012 0601 2	360.13	3012 0630 1	406.78	3012 0630 2	346.22	3012 0620 1	392.88	3012 0620 2
40	149.07	3012 0701 1	193.63	3012 0701 2	352.69	3012 0730 1	397.25	3012 0730 2	338.78	3012 0720 1	383.34	3012 0720 2
50	163.64	3012 0801 1	213.13	3012 0801 2	367.26	3012 0830 1	416.75	3012 0830 2	353.35	3012 0820 1	402.85	3012 0820 2
65	202.98	3012 0901 1	263.95	3012 0901 2	406.60	3012 0930 1	467.58	3012 0930 2	392.70	3012 0920 1	453.67	3012 0920 2
80	276.99	3012 1001 1	360.15	3012 1001 2	470.52	3012 1030 1	553.68	3012 1030 2	456.61	3012 1020 1	539.77	3012 1020 2
100	341.65	3012 1201 1	444.03	3012 1201 2	535.17	3012 1230 1	637.56	3012 1230 2	521.26	3012 1220 1	623.65	3012 1220 2
125	655.25	3012 1301 1	851.76	3012 1301 2	1203.53	3012 1330 1	1400.04	3012 1330 2	1142.94	3012 1320 1	1339.46	3012 1320 2
150	1024.78	3012 1501 1	1334.01	3012 1501 2	1576.39	3012 1530 1	1885.62	3012 1530 2	1515.80	3012 1520 1	1825.03	3012 1520 2

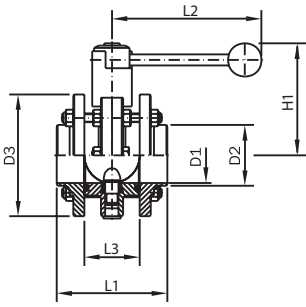
Butterfly Valve Clamp/Clamp DIN

DN DIN	manually actuated 1.4301 (304) Silicone		manually actuated 1.4404 (316L) Silicone		Air/Spring 1.4301 (304) Silicone		Air/Spring 1.4404 (316L) Silicone		Air/Air 1.4301 (304) Silicone		Air/Air 1.4404 (316L) Silicone	
	Price/EUR	Article No.	Price/EUR	Article No.	Price/EUR	Article No.	Price/EUR	Article No.	Price/EUR	Article No.	Price/EUR	Article No.
10	117.85	3009 0106 1	145.10	3009 0106 2	334.60	3009 0130 1	361.90	3009 0130 2				
15	117.85	3009 0306 1	145.10	3009 0306 2	334.60	3009 0330 1	361.90	3009 0330 2				
20	117.85	3009 0406 1	145.10	3009 0406 2	334.60	3009 0430 1	361.90	3009 0430 2				
25	87.89	3009 0501 1	114.45	3009 0501 2	291.51	3009 0530 1	318.07	3009 0530 2	277.61	3009 0520 1	304.17	3009 0520 2
32	90.70	3009 0601 1	117.88	3009 0601 2	294.84	3009 0630 1	321.12	3009 0630 2	280.03	3009 0620 1	307.72	3009 0620 2
40	93.13	3009 0701 1	120.97	3009 0701 2	296.75	3009 0730 1	324.59	3009 0730 2	282.85	3009 0720 1	310.69	3009 0720 2
50	101.90	3009 0801 1	132.30	3009 0801 2	305.52	3009 0830 1	335.92	3009 0830 2	291.62	3009 0820 1	322.01	3009 0820 2
65	120.69	3009 0901 1	157.78	3009 0901 2	324.31	3009 0930 1	361.41	3009 0930 2	310.41	3009 0920 1	347.50	3009 0920 2
80	181.20	3009 1001 1	234.96	3009 1001 2	374.73	3009 1030 1	428.49	3009 1030 2	360.82	3009 1020 1	409.98	3009 1020 2
100	229.65	3009 1201 1	318.23	3009 1201 2	423.17	3009 1230 1	511.75	3009 1230 2	409.26	3009 1220 1	497.84	3009 1220 2

Butterfly Valve Weld/Weld DIN for ISO pipe

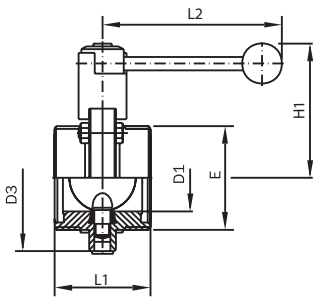
DN ISO	manually actuated 1.4301 (304) Silicone		manually actuated 1.4404 (316L) Silicone		Air/Spring 1.4301 (304) Silicone		Air/Spring 1.4404 (316L) Silicone		Air/Air 1.4301 (304) Silicone		Air/Air 1.4404 (316L) Silicone	
	Price/EUR	Article No.	Price/EUR	Article No.	Price/EUR	Article No.	Price/EUR	Article No.	Price/EUR	Article No.	Price/EUR	Article No.
33.7	82.60	3002 7901 1	107.22	3002 7901 2	286.22	3002 7930 1	310.84	3002 7930 2	272.31	3002 7920 1	296.93	3002 7920 2
42.4	88.25	3002 8001 1	114.53	3002 8001 2	291.87	3002 8030 1	318.15	3002 8030 2	277.96	3002 8020 1	304.24	3002 8020 2
48.3	89.40	3002 8101 1	115.76	3002 8101 2	293.02	3002 8130 1	319.38	3002 8130 2	279.11	3002 8120 1	305.47	3002 8120 2
60.3	93.36	3002 8201 1	121.51	3002 8201 2	296.98	3002 8230 1	325.13	3002 8230 2	283.08	3002 8220 1	311.22	3002 8220 2
76.1	114.84	3002 8301 1	148.73	3002 8301 2	318.46	3002 8330 1	352.36	3002 8330 2	304.55	3002 8320 1	338.45	3002 8320 2
88.9	164.38	3002 8401 1	213.85	3002 8401 2	357.90	3002 8430 1	407.37	3002 8430 2	344.00	3002 8420 1	393.46	3002 8420 2
114.3	203.98	3002 8501 1	265.08	3002 8501 2	397.50	3002 8530 1	458.60	3002 8530 2	383.60	3002 8520 1	454.79	3002 8520 2

Butterfly Valves



Intermediate Flange Butterfly Valve DIN for ISO Pipe

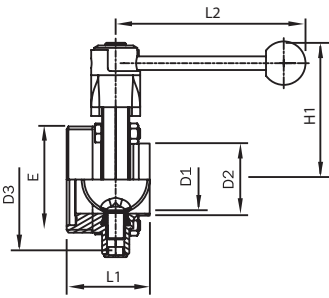
DN ISO	L1	L3	L2	H1	D1	D2	D3	Weight [kg]
33.7	90	50	107	90	29.7	33.7	87	2.4
42.4	90	50	107	92	38.4	42.4	92	2.6
48.3	100	50	137	94	44.3	48.3	97	2.9
60.3	100	50	137	101	56.3	60.3	110	3.4
76.1	100	50	137	110	72.1	76.1	127	4.1
88.9	136	76	167	123	84.3	88.9	142	7.4
114.3	139	76	167	134	109.7	114.3	162	8.8



Butterfly Valve Thread/Thread Aseptic Connection DIN 11864/1

DN DIN	L1	L2	H1	D1	D3	E	Weight [kg]
10	78	105	79	10	58	Rd 28 x 1/8"	0.6
15	78	105	79	16	58	Rd 34 x 1/8"	0.6
20	82	105	79	20	58	Rd 44 x 1/8"	0.6
25	64	107	90	26	87	Rd 52 x 1/6"	1.7
32	64	107	92	32	92	Rd 58 x 1/6"	1.8
40	72	137	94	38	97	Rd 65 x 1/6"	2.0
50	72	137	101	50	110	Rd 78 x 1/6"	2.4
65	76	137	110	66	127	Rd 95 x 1/6"	3.1
80	100	167	123	81	142	Rd 110 x 1/4"	5.2
100	104	167	134	100	162	Rd 130 x 1/4"	6.5

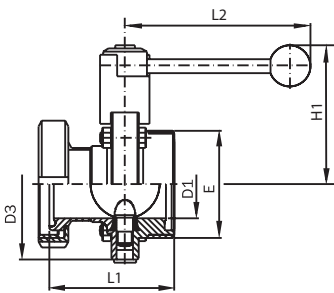
Attention: DN10 to DN20
only with plastic Handle



Butterfly Valve Thread/Weld Aseptic Connection DIN 11864/1

DN DIN	L1	L2	H1	D1	D2	D3	E	Weight [kg]
10	59	105	79	10	13	58	Rd 28 x 1/8"	0.6
15	59	105	79	16	19	58	Rd 34 x 1/8"	0.6
20	61	105	79	20	23	58	Rd 44 x 1/8"	0.6
25	52	107	90	26	29	87	Rd 52 x 1/6"	1.5
32	53	107	92	32	35	92	Rd 58 x 1/6"	1.6
40	61	137	94	38	41	97	Rd 65 x 1/6"	1.8
50	61	137	101	50	53	110	Rd 78 x 1/6"	2.1
65	63	137	110	66	70	127	Rd 95 x 1/6"	2.6
80	80	167	123	81	85	142	Rd 110 x 1/4"	4.6
100	84	167	134	100	104	162	Rd 130 x 1/4"	5.6

Attention: DN10 to DN20
only with plastic Handle



Butterfly Valve Thread/Collar Aseptic Connection DIN 11864/1

DN DIN	L1	L2	H1	D1	D3	E	Weight [kg]
10	76	105	79	10	58	Rd 28 x 1/8"	0.6
15	76	105	79	16	58	Rd 34 x 1/8"	0.6
20	79	105	79	20	58	Rd 44 x 1/8"	0.6
25	74	107	90	26	87	Rd 52 x 1/6"	1.8
32	78	107	92	32	92	Rd 58 x 1/6"	1.9
40	87	137	94	38	97	Rd 65 x 1/6"	2.2
50	91	137	101	50	110	Rd 78 x 1/6"	2.7
65	97	137	110	66	127	Rd 95 x 1/6"	3.4
80	118	167	123	81	142	Rd 110 x 1/4"	5.6
100	130	167	134	100	162	Rd 130 x 1/4"	7.1

Attention: DN10 to DN20
only with plastic Handle

Butterfly Valves

Intermediate Flange Butterfly Valve DIN for ISO Pipe

DN ISO	manually actuated 1.4301 (304) Silicone		manually actuated 1.4404 (316L) Silicone		Air/Spring 1.4301 (304) Silicone		Air/Spring 1.4404 (316L) Silicone		Air/Air 1.4301 (304) Silicone		Air/Air 1.4404 (316L) Silicone	
	Price/EUR	Article No.	Price/EUR	Article No.	Price/EUR	Article No.	Price/EUR	Article No.	Price/EUR	Article No.	Price/EUR	Article No.
33.7	*	3202 7901 1	*	3202 7901 2	*	3202 7930 1	*	3202 7930 2	*	3202 7920 1	*	3202 7920 2
42.4	*	3202 8001 1	*	3202 8001 2	*	3202 8030 1	*	3202 8030 2	*	3202 8020 1	*	3202 8020 2
48.3	*	3202 8101 1	*	3202 8101 2	*	3202 8130 1	*	3202 8130 2	*	3202 8120 1	*	3202 8120 2
60.3	*	3202 8201 1	*	3202 8201 2	*	3202 8230 1	*	3202 8230 2	*	3202 8220 1	*	3202 8220 2
76.1	*	3202 8301 1	*	3202 8301 2	*	3202 8330 1	*	3202 8330 2	*	3202 8320 1	*	3202 8320 2
88.9	*	3202 8401 1	*	3202 8401 2	*	3202 8430 1	*	3202 8430 2	*	3202 8420 1	*	3202 8420 2
114.3	*	3202 8501 1	*	3202 8501 2	*	3202 8530 1	*	3202 8530 2	*	3202 8520 1	*	3202 8520 2

Butterfly Valve Thread/Thread Aseptic Connection DIN 11864/1

DN DIN	manually actuated 1.4404 (316L) Silicone		Air/Spring 1.4404 (316L) Silicone		Air/Air 1.4404 (316L) Silicone	
	Price/EUR	Article No.	Price/EUR	Article No.	Price/EUR	Article No.
10	172.54	3020 0106 2	376.16	3020 0130 2		
15	172.54	3020 0306 2	376.16	3020 0330 2		
20	172.54	3020 0406 2	376.16	3020 0430 2		
25	172.54	3020 0501 2	376.16	3020 0530 2	362.25	3020 0520 2
32	183.09	3020 0601 2	386.72	3020 0630 2	372.81	3020 0620 2
40	187.21	3020 0701 2	390.83	3020 0730 2	376.92	3020 0720 2
50	213.52	3020 0801 2	417.14	3020 0830 2	403.23	3020 0820 2
65	262.22	3020 0901 2	465.84	3020 0930 2	451.93	3020 0920 2
80	350.85	3020 1001 2	544.37	3020 1030 2	530.47	3020 1020 2
100	484.78	3020 1201 2	678.31	3020 1230 2	664.40	3020 1220 2

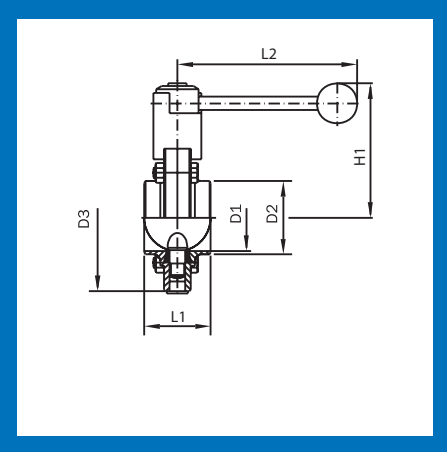
Butterfly Valve Thread/Weld Aseptic Connection DIN 11864/1

DN DIN	manually actuated 1.4404 (316L) Silicone		Air/Spring 1.4404 (316L) Silicone		Air/Air 1.4404 (316L) Silicone	
	Price/EUR	Article No.	Price/EUR	Article No.	Price/EUR	Article No.
10	124.91	3021 0106 2	328.53	3021 0130 2		
15	124.91	3021 0306 2	328.53	3021 0330 2		
20	124.91	3021 0406 2	328.53	3021 0430 2		
25	124.91	3021 0501 2	328.53	3021 0530 2	314.62	3021 0520 2
32	132.35	3021 0601 2	335.97	3021 0630 2	322.06	3021 0620 2
40	133.63	3021 0701 2	337.25	3021 0730 2	323.34	3021 0720 2
50	148.07	3021 0801 2	351.69	3021 0830 2	337.78	3021 0820 2
65	182.58	3021 0901 2	386.20	3021 0930 2	372.30	3021 0920 2
80	251.07	3021 1001 2	444.59	3021 1030 2	430.69	3021 1020 2
100	319.92	3021 1201 2	513.44	3021 1230 2	499.53	3021 1220 2

Butterfly Valve Thread/Collar Aseptic Connection DIN 11864/1

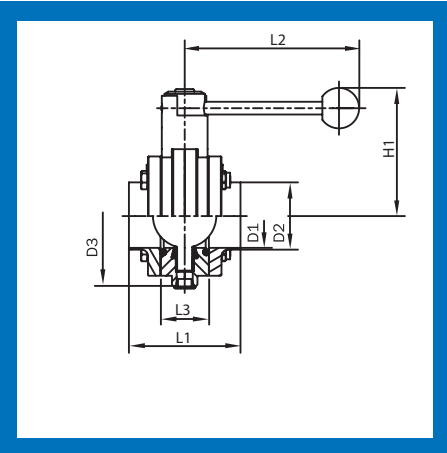
DN DIN	manually actuated 1.4404 (316L) Silicone		Air/Spring 1.4404 (316L) Silicone		Air/Air 1.4404 (316L) Silicone	
	Price/EUR	Article No.	Price/EUR	Article No.	Price/EUR	Article No.
10	172.54	3022 0106 2	376.16	3022 0130 2		
15	172.54	3022 0306 2	376.16	3022 0330 2		
20	172.54	3022 0406 2	376.16	3022 0430 2		
25	172.54	3022 0501 2	376.16	3022 0530 2	362.25	3022 0520 2
32	183.09	3022 0601 2	386.72	3022 0630 2	372.81	3022 0620 2
40	187.21	3022 0701 2	390.83	3022 0730 2	376.92	3022 0720 2
50	213.52	3022 0801 2	417.14	3022 0830 2	403.23	3022 0820 2
65	262.22	3022 0901 2	465.84	3022 0930 2	451.93	3022 0920 2
80	350.85	3022 1001 2	544.37	3022 1030 2	530.47	3022 1020 2
100	484.78	3022 1201 2	678.31	3022 1230 2	664.40	3022 1220 2

Butterfly Valves



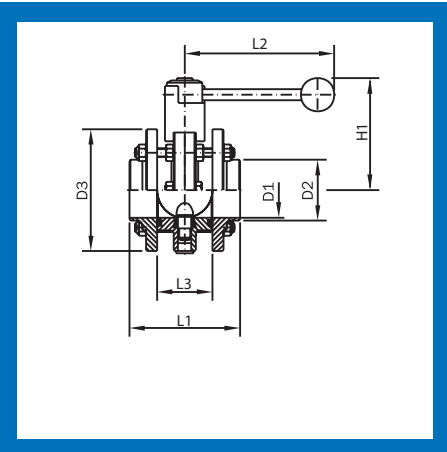
Butterfly Valve Weld/Weld Inch (Series B)

DN Inch	L1	L2	H1	D1	D2	D3	Weight [kg]
1"	38	107.5	90.5	22.1	25.4	87	1.3
1 1/2"	48	137.5	94.5	34.8	38.1	97	1.5
2"	48	137.5	101	47.5	50.8	110	1.8
2 1/2"	47	137.5	110	60.2	63.5	127	2.2
3"	60	167	123	72.1	76.1	142	4.2
4"	64	167	136	97.38	101.6	162	4.8
5"	112	217	161	122.8	127	200	7.8
6"	124	217	176	148.2	152.4	230	9.8



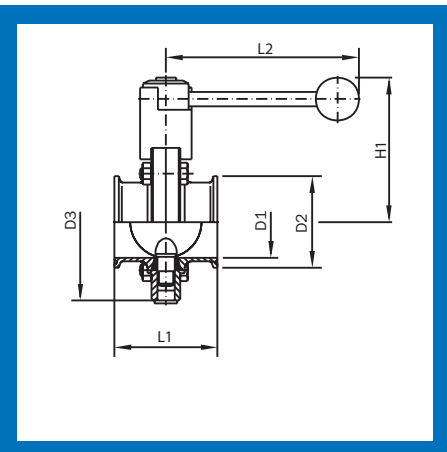
Compact Intermediate Flange Butterfly Valve Inch (Series B)

DN Inch	L1	L2	L3	H1	D1	D2	D3	Weight [kg]
1"	78	107.5	38	90	22.1	25.4	87	2.4
1 1/2"	88	137.5	38	94.5	34.8	38.1	97	2.6
2"	88	137.5	38	101	47.5	50.8	110	3.1
2 1/2"	88	137.5	38	110	60.2	63.5	127	3.6
3"	105	171	45	124.5	72.9	76.2	142	6.7
4"	105	171	45	135.5	97.38	101.6	162	7.6
5"	168	217	88	161	122.8	127	200	16.4
6"	168	217	88	176	148.2	152.4	230	19.9



Intermediate Flange Butterfly Valve Inch (Series B)

DN Inch	L1	L2	L3	H1	D1	D2	D3	Weight [kg]
1"	90	107.5	50	90.5	22.1	25.4	87	2.4
1 1/2"	100	137.5	50	94.5	34.8	38.1	97	2.8
2"	100	137.5	50	101	47.5	50.8	110	3.4
2 1/2"	100	137.5	50	110	60.2	63.5	127	4.1
3"	136	167	76	123	72.1	78	142	7.2
4"	136	167	76	136	97.38	101.6	162	8.8



Butterfly Valve Clamp/Clamp Inch (Series B)

DN Inch	L1	L2	H1	D1	D2	D3	Weight [kg]
1"	64	107.5	90.5	22.1	50.5	87	1.5
1 1/2"	72	137.5	94.5	34.8	50.5	97	1.6
2"	72	137.5	101	47.5	64	110	1.9
2 1/2"	76	137.5	110	60.2	77.5	127	2.4
3"	90	167	123	72.1	91	142	4.2
4"	104	167	136	97.38	119	162	5.2

Butterfly Valves

Butterfly Valve Weld/Weld Inch (Series B)

DN Inch	manually actuated 1.4301 (304) Silicone		manually actuated 1.4404 (316L) Silicone		Air/Spring 1.4301 (304) Silicone		Air/Spring 1.4404 (316L) Silicone		Air/Air 1.4301 (304) Silicone		Air/Air 1.4404 (316L) Silicone	
	Price/EUR	Article No.	Price/EUR	Article No.	Price/EUR	Article No.	Price/EUR	Article No.	Price/EUR	Article No.	Price/EUR	Article No.
1"	75.90	360254011/0	98.50	360254012/0	279.50	360254301/0	302.10	360254302/0	265.60	360254201/0	288.20	360254202/0
1 1/2"	81.70	360257011/0	105.75	360257012/0	285.35	360257301/0	309.35	360257302/0	271.40	360257201/0	295.45	360257202/0
2"	85.95	360258011/0	107.20	360258012/0	289.60	360258301/0	310.80	360258302/0	275.65	360258201/0	296.90	360258202/0
2 1/2"	107.75	360259011/0	141.95	360259012/0	311.40	360259301/0	345.55	360259302/0	297.50	360259201/0	331.65	360259202/0
3"	155.95	360260011/0	203.55	360260012/0	349.50	360260301/0	397.05	360260302/0	335.55	360260201/0	383.15	360260202/0
4"	195.00	360262011/0	252.50	360262012/0	388.50	360262301/0	446.00	360262302/0	374.60	360262201/0	432.10	360262202/0
5"	432.35	300263011	562.50	300263012	1013.55	300263521	1143.65	300263522				
6"	628.15	300264011	812.65	300264012	1212.85	300264521	1397.35	300264522				

Compact Intermediate Flange Butterfly Valve Inch (Series B)

DN Inch	manually actuated 1.4301 (304) Silicone		manually actuated 1.4404 (316L) Silicone		VMove® air/spring 1.4301 (304) Silicone		VMove® air/spring 1.4404 (316L) Silicone	
	Price/EUR	Article No.	Price/EUR	Article No.	Price/EUR	Article No.	Price/EUR	Article No.
1"	131.22	3255 1100 05410	171.13	3255 1100 05430	334.85	3255 2100 05410	374.75	3255 2100 05430
1 1/2"	140.84	3255 1100 05710	183.12	3255 1100 05730	344.46	3255 2100 05710	386.74	3255 2100 05730
2"	146.56	3255 1100 05810	191.25	3255 1100 05830	350.18	3255 2100 05810	394.87	3255 2100 05830
2 1/2"	185.27	3255 1100 05910	241.18	3255 1100 05930	388.89	3255 2100 05910	444.80	3255 2100 05930
3"	266.54	3255 1100 06010	322.14	3255 1100 06030	460.06	3255 2100 06010	515.66	3255 2100 06030
4"	324.85	3255 1100 06210	422.66	3255 1100 06230	518.37	3255 2100 06210	616.18	3255 2100 06230
5"	937.91	3255 1100 06310	1218.56	3255 1100 06330	1486.20	3255 2100 06310	1766.85	3255 2100 06330
6"	1335.11	3255 1100 06410	1734.46	3255 1100 06430	1845.30	3255 2100 06410	2286.06	3255 2100 06430

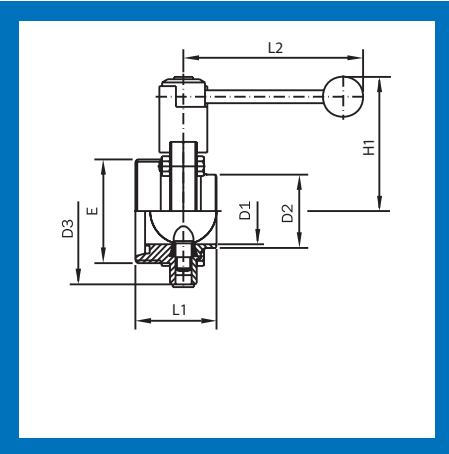
Intermediate Flange Butterfly Valve Inch (Series B)

DN Inch	manually actuated 1.4301 (304) Silicone		manually actuated 1.4404 (316L) Silicone		Air/Spring 1.4301 (304) Silicone		Air/Spring 1.4404 (316L) Silicone		Air/Air 1.4301 (304) Silicone		Air/Air 1.4404 (316L) Silicone	
	Price/EUR	Article No.	Price/EUR	Article No.	Price/EUR	Article No.	Price/EUR	Article No.	Price/EUR	Article No.	Price/EUR	Article No.
1"	133.05	363254011/0	172.75	363254012/0	336.70	363254301/0	376.40	363254302/0	322.80	363254201/0	362.50	363254202/0
1 1/2"	143.10	363257011/0	186.05	363257012/0	346.75	363257301/0	389.65	363257302/0	332.85	363257201/0	375.75	363257202/0
2"	148.85	363258011/0	194.60	363258012/0	352.50	363258301/0	398.25	363258302/0	338.60	363258201/0	384.30	363258202/0
2 1/2"	187.95	363259011/0	244.70	363259012/0	391.60	363259301/0	448.35	363259302/0	377.65	363259201/0	434.40	363259202/0
3"	272.10	363260011/0	354.90	363260012/0	465.60	363260301/0	548.45	363260302/0	451.70	363260201/0	534.55	363260202/0
4"	329.45	363262011/0	428.75	363262012/0	523.00	363262301/0	622.30	363262302/0	509.05	363262201/0	608.40	363262202/0

Butterfly Valve Clamp/Clamp Inch (Series B)

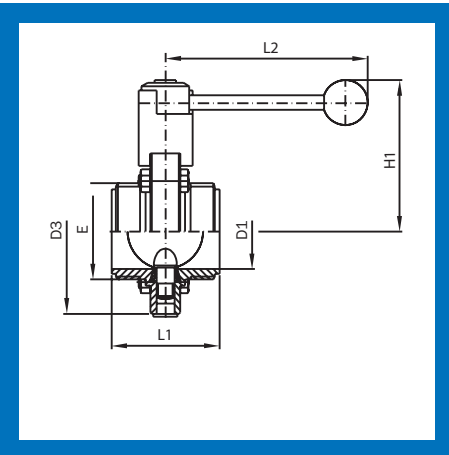
DN Inch	manually actuated 1.4301 (304) Silicone		manually actuated 1.4404 (316L) Silicone		Air/Spring 1.4301 (304) Silicone		Air/Spring 1.4404 (316L) Silicone		Air/Air 1.4301 (304) Silicone		Air/Air 1.4404 (316L) Silicone	
	Price/EUR	Article No.	Price/EUR	Article No.	Price/EUR	Article No.	Price/EUR	Article No.	Price/EUR	Article No.	Price/EUR	Article No.
1"	91.55	360654011/0	117.15	360654012/0	295.15	360654301/0	320.75	360654302/0	281.25	360654201/0	306.85	360654202/0
1 1/2"	95.15	360657011/0	123.85	360657012/0	298.75	360657301/0	327.50	360657302/0	284.85	360657201/0	313.60	360657202/0
2"	104.15	360658011/0	135.20	360658012/0	307.75	360658301/0	344.20	360658302/0	293.85	360658201/0	324.90	360658202/0
2 1/2"	123.75	360659011/0	161.40	360659012/0	327.40	360659301/0	365.05	360659302/0	313.50	360659201/0	351.10	360659202/0
3"	185.20	360660011/0	240.70	360660012/0	378.70	360660301/0	434.25	360660302/0	364.80	360660201/0	420.35	360660202/0
4"	235.35	360662011/0	325.50	360662012/0	428.85	360662301/0	519.05	360662302/0	414.95	360662201/0	505.15	360662202/0

Butterfly Valves



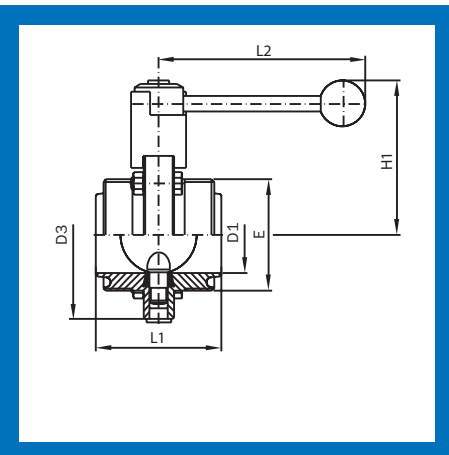
Butterfly Valve Thread/Weld Inch (Series B) similar DIN 11851

DN Inch	L1	L2	H1	D1	D2	D3	E	Weight [kg]
1"	51	107.5	90.5	22.1	25.4	87	Rd 52 x 1/6"	1.5
1 1/2"	60	137.5	94.5	34.8	38.1	97	Rd 65 x 1/6"	1.8
2"	60	137.5	101	47.5	50.8	110	Rd 78 x 1/6"	2.1
2 1/2"	61.5	137.5	110	60.2	63.5	127	Rd 95 x 1/6"	2.7
3"	75	167	123	72.1	76.1	142	Rd 104 x 1/6"	5.0
4"	84	167	136	97.38	101.6	162	Rd 130 x 1/4"	5.7



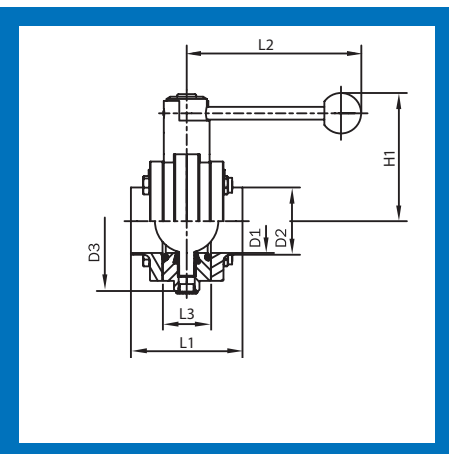
Butterfly Valve IDF Thread/Thread (Series B)

DN Inch	L1	L2	H1	D1	D3	E	Weight [kg]
1"	72	107.5	90.5	22.1	87	1"	1.5
1 1/2"	72	137.5	94.5	34.8	97	1 1/2"	1.8
2"	72	137.5	101	47.5	110	2"	2.1
2 1/2"	76	137.5	110	60.2	127	2 1/2"	2.7
3"	90	167	123	72.1	142	3"	4.8
4"	104	167	136	97.38	162	4"	7.1



Butterfly Valve RJT Thread/Thread (Series B)

DN Inch	L1	L2	H1	D1	D3	E	Weight [kg]
1"	74	107.5	90.5	22.1	87	45.7 x 1/8"	1.2
1 1/2"	82	137.5	94.5	34.8	97	58.4 x 1/8"	2.0
2"	82	137.5	101	47.5	110	72.7 x 1/6"	2.3
2 1/2"	86	137.5	110	60.2	127	85.4 x 1/6"	3.0
3"	100	167	123	72.1	142	98.1 x 1/6"	4.8
4"	100	167	136	97.38	162	123.5 x 1/6"	7.1



Compact Intermediate Flange Butterfly Valve SMS (FR) (Series B)

DN SMS	L1	L2	L3	H1	D1	D2	D3	Weight [kg]
25	78	107.5	38	90	22.5	25	87	2.4
38	88	137.5	38	94.5	35.5	38	97	2.6
51	88	137.5	38	101	48.5	51	110	3.1
63.5	88	137.5	38	110	60.5	63.5	127	3.6
76.1	105	171	45	124.5	72.1	76.1	142	6.7
101.6	105	171	45	135.5	97.6	101.6	162	7.6

Butterfly Valves

Butterfly Valve Thread/Weld Inch (Series B) similar DIN 11851

DN Inch	manually actuated 1.4301 (304) Silicone		manually actuated 1.4404 (316L) Silicone		Air/Spring 1.4301 (304) Silicone		Air/Spring 1.4404 (316L) Silicone		Air/Air 1.4301 (304) Silicone		Air/Air 1.4404 (316L) Silicone	
	Price/EUR	Article No.	Price/EUR	Article No.	Price/EUR	Article No.	Price/EUR	Article No.	Price/EUR	Article No.	Price/EUR	Article No.
1"	78.92	360354011/0	101.85	360354012/0	282.57	360354301/0	305.50	360354302/0	268.62	360354201/0	291.55	360354202/0
1 1/2"	83.78	360357011/0	107.45	360357012/0	287.43	360357301/0	311.10	360357302/0	273.48	360357201/0	297.15	360357202/0
2"	89.35	360358011/0	115.91	360358012/0	293.00	360358301/0	319.54	360358302/0	279.05	360358201/0	305.61	360358202/0
2 1/2"	108.75	360359011/0	153.20	360359012/0	312.40	360359301/0	346.69	360359302/0	298.45	360359201/0	342.90	360359202/0
3"	162.88	360360011/0	212.52	360360012/0	356.40	360360301/0	406.02	360360302/0	342.48	360360201/0	392.12	360360202/0
4"	203.60	360362011/0	264.50	360362012/0	397.10	360362301/0	458.00	360362302/0	383.20	360362201/0	444.10	360362202/0

Butterfly Valve IDF Thread/Thread (Series B)

DN Inch	manually actuated 1.4301 (304) Silicone		manually actuated 1.4404 (316L) Silicone		Air/Spring 1.4301 (304) Silicone		Air/Spring 1.4404 (316L) Silicone		Air/Air 1.4301 (304) Silicone		Air/Air 1.4404 (316L) Silicone	
	Price/EUR	Article No.	Price/EUR	Article No.	Price/EUR	Article No.	Price/EUR	Article No.	Price/EUR	Article No.	Price/EUR	Article No.
1"	87.15	361454011/0	112.45	361454012/0	290.75	361454301/0	316.05	361454302/0	276.85	361454201/0	302.15	361454202/0
1 1/2"	91.75	361457011/0	118.50	361457012/0	295.40	361457301/0	322.15	361457302/0	281.50	361457201/0	308.25	361457202/0
2"	100.75	361458011/0	136.80	361458012/0	304.35	361458301/0	340.40	361458302/0	290.45	361458201/0	326.50	361458202/0
2 1/2"	119.75	361459011/0	164.20	361459012/0	323.35	361459301/0	367.85	361459302/0	309.45	361459201/0	353.95	361459202/0
3"	179.15	361460011/0	231.90	361460012/0	372.70	361460301/0	425.45	361460302/0	358.80	361460201/0	411.55	361460202/0
4"	*	361462011/0	*	361462012/0	*	361462301/0	*	361462302/0	*	361462201/0	*	361462202/0

Butterfly Valve RJT Thread/Thread (Series B)

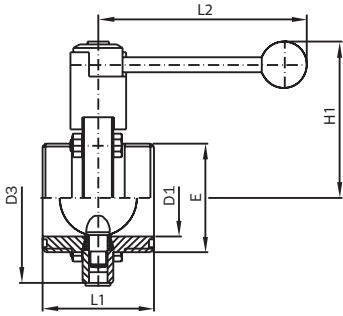
DN Inch	manually actuated 1.4301 (304) Silicone		manually actuated 1.4404 (316L) Silicone		Air/Spring 1.4301 (304) Silicone		Air/Spring 1.4404 (316L) Silicone		Air/Air 1.4301 (304) Silicone		Air/Air 1.4404 (316L) Silicone	
	Price/EUR	Article No.	Price/EUR	Article No.	Price/EUR	Article No.	Price/EUR	Article No.	Price/EUR	Article No.	Price/EUR	Article No.
1"	103.00	361554011/0	128.30	361554012/0	290.75	361554301/0	316.05	361554302/0	276.85	361554201/0	302.15	361554202/0
1 1/2"	109.05	361557011/0	135.80	361557012/0	295.40	361557301/0	322.15	361557302/0	281.50	361557201/0	308.25	361557202/0
2"	118.80	361558011/0	154.85	361558012/0	304.35	361558301/0	340.40	361558302/0	290.45	361558201/0	326.50	361558202/0
2 1/2"	142.90	361559011/0	187.40	361559012/0	323.35	361559301/0	367.85	361559302/0	309.45	361559201/0	353.95	361559202/0
3"	207.50	361560011/0	260.25	361560012/0	372.70	361560301/0	425.45	361560302/0	358.80	361560201/0	411.55	361560202/0
4"	*	361562011/0	*	361562012/0	*	361562301/0	*	361562302/0	*	361562201/0	*	361562202/0

Compact Intermediate Flange Butterfly Valve SMS (FR) (Series B)

DN SMS	manually actuated 1.4301 (304) Silicone		manually actuated 1.4404 (316L) Silicone		VMove® air/spring 1.4301 (304) Silicone		VMove® air/spring 1.4404 (316L) Silicone	
	Price/EUR	Article No.	Price/EUR	Article No.	Price/EUR	Article No.	Price/EUR	Article No.
25	131.22	3255 1100 09110	171.13	3255 1100 09130	334.85	3255 2100 09110	374.75	3255 2100 09130
38	140.84	3255 1100 09210	183.12	3255 1100 09230	344.46	3255 2100 09210	386.74	3255 2100 09230
51	146.56	3255 1100 09310	191.25	3255 1100 09330	350.18	3255 2100 09310	394.87	3255 2100 09330
63.5	185.27	3255 1100 09410	241.18	3255 1100 09430	388.89	3255 2100 09410	444.80	3255 2100 09430
76.1	266.54	3255 1100 09510	322.14	3255 1100 09530	460.06	3255 2100 09510	515.66	3255 2100 09530
101.6	324.85	3255 1100 09610	422.66	3255 1100 09630	518.37	3255 2100 09610	616.18	3255 2100 09630

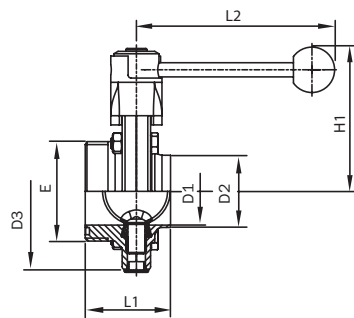
Butterfly Valves

Butterfly Valve SMS Thread/Thread (Series B)



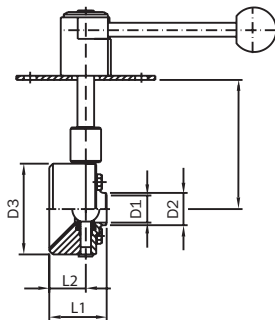
DN SMS	L1	L2	H1	D1	D3	E	Weight [kg]
25	64	107.5	90.5	22.1	87	Rd 40 x 1/6"	1.5
38	72	137.5	94.5	34.8	97	Rd 60 x 1/6"	2.0
51	72	137.5	101	47.5	110	Rd 70 x 1/6"	2.3
63.5	76	137.5	110	60.2	127	Rd 85 x 1/6"	3.0
76.1	90	167	123	72.1	142	Rd 98 x 1/6"	5.0
101.6	104	167	136	97.38	162	Rd 132 x 1/6"	7.3

Butterfly Valve SMS Thread/Weld (Series B)



DN SMS	L1	L2	H1	D1	D2	D3	E	Weight [kg]
25	51	107.5	90.5	22.1	25.4	87	Rd 40 x 1/6"	1.4
38	60	137.5	94.5	34.8	38.1	97	Rd 60 x 1/6"	1.8
51	60	157.5	101	47.5	50.8	110	Rd 70 x 1/6"	2.1
63.5	61.5	157.5	110	60.2	63.5	127	Rd 85 x 1/6"	2.6
76.1	75	167	123	72.1	76.1	142	Rd 98 x 1/6"	4.6
101.6	84	167	138	97.38	101.6	162	Rd 132 x 1/6"	6.1

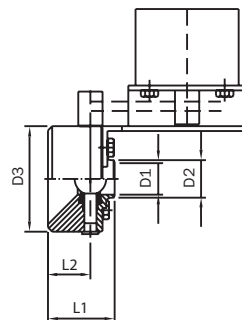
Ground Drain Valve



DN DIN	L1	L2	D1	D2	D3
25	55	35	26	29	87
40	60	35	38	41	97
50	60	35	50	53	110
65	60	35	66	70	127
80	70	40	81	85	142
100	72	40	100	104	162

L - specify when placing order

Ground Drain Valve



DN DIN	L1	L2	D1	D2	D3
25	55	35	26	29	87
40	60	35	38	41	97
50	60	35	50	53	110
65	60	35	66	70	127
80	70	40	81	85	142
100	72	40	100	104	162

Butterfly Valves

Butterfly Valve SMS Thread/Thread (Series B)

DN SMS	manually actuated 1.4301 (304) Silicone		manually actuated 1.4404 (316L) Silicone		Air/Spring 1.4301 (304) Silicone		Air/Spring 1.4404 (316L) Silicone		Air/Air 1.4301 (304) Silicone		Air/Air 1.4404 (316L) Silicone	
	Price/EUR	Article No.	Price/EUR	Article No.	Price/EUR	Article No.	Price/EUR	Article No.	Price/EUR	Article No.	Price/EUR	Article No.
25	85.95	361654011/0	111.25	361654012/0	289.60	361654301/0	314.90	361654302/0	275.65	361654201/0	301.00	361654202/0
38	90.30	361657011/0	117.05	361657012/0	293.90	361657301/0	320.65	361657302/0	280.00	361657201/0	306.75	361657202/0
51	99.10	361658011/0	135.15	361658012/0	302.70	361658301/0	338.75	361658302/0	288.80	361658201/0	324.85	361658202/0
63.5	108.75	361659011/0	153.20	361659012/0	312.35	361659301/0	356.85	361659302/0	312.35	361659201/0	342.95	361659202/0
76.1	176.20	361660011/0	228.95	361660012/0	369.70	361660301/0	422.45	361660302/0	355.80	361660201/0	408.55	361660202/0
101.6	223.85	361662011/0	295.65	361662012/0	417.40	361662301/0	489.15	361662302/0	403.50	361662201/0	427.25	361662202/0

Butterfly Valve SMS Thread/Weld (Series B)

DN SMS	manually actuated 1.4301 (304) Silicone		manually actuated 1.4404 (316L) Silicone		Air/Spring 1.4301 (304) Silicone		Air/Spring 1.4404 (316L) Silicone		Air/Air 1.4301 (304) Silicone		Air/Air 1.4404 (316L) Silicone	
	Price/EUR	Article No.	Price/EUR	Article No.	Price/EUR	Article No.	Price/EUR	Article No.	Price/EUR	Article No.	Price/EUR	Article No.
25	78.92	360454011/0	101.85	360454012/0	282.57	360454301/0	305.50	360454302/0	268.62	360454201/0	291.55	360454202/0
38	83.78	360457011/0	107.45	360457012/0	287.43	360457301/0	311.10	360457302/0	273.48	360457201/0	297.15	360457202/0
51	89.35	360458011/0	115.91	360458012/0	293.00	360458301/0	319.54	360458302/0	279.05	360458201/0	305.61	360458202/0
63.5	108.75	360459011/0	153.20	360459012/0	312.40	360459301/0	346.69	360459302/0	298.45	360459201/0	342.90	360459202/0
76.1	162.88	360460011/0	212.52	360460012/0	356.40	360460301/0	406.02	360460302/0	342.48	360460201/0	392.12	360460202/0
101.6	203.60	360462011/0	264.50	360462012/0	397.10	360462301/0	458.00	360462302/0	383.20	360462201/0	444.10	360462202/0

Ground Drain Valve

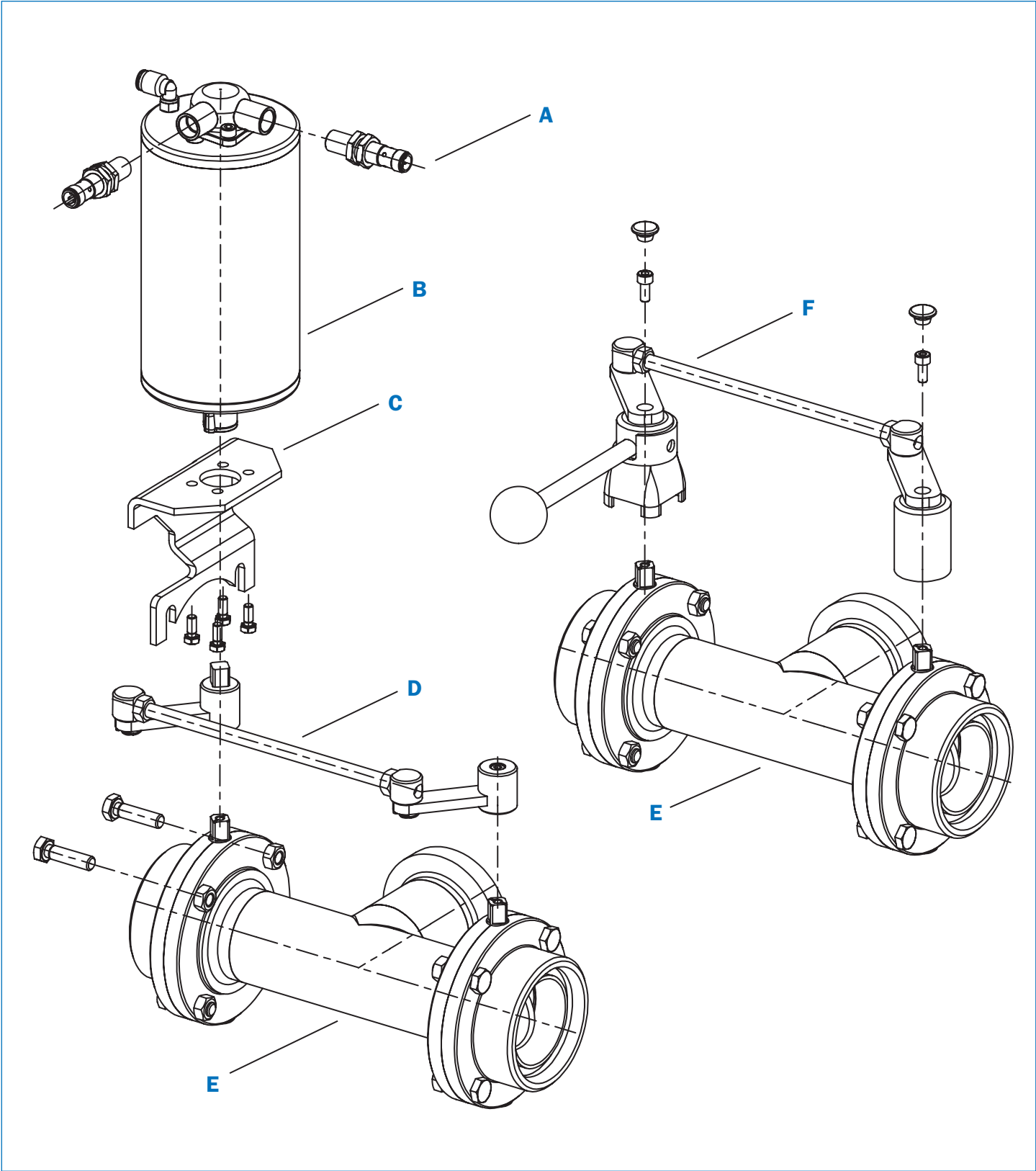
DN DIN	manually actuated 1.4301 (304) Silicone		manually actuated 1.4404 (316L) Silicone		Handle extension 1.4301 (304)	
	Price/EUR	Article No.	Price/EUR	Article No.	Price/EUR	Article No.
25	*	3018 0501 1	*	3018 0501 2	*	3907 09 000
40	*	3018 0701 1	*	3018 0701 2	*	3907 09 000
50	*	3018 0801 1	*	3018 0801 2	*	3907 09 000
65	*	3018 0901 1	*	3018 0901 2	*	3907 09 000
80	*	3018 1001 1	*	3018 1001 2	*	3907 12 000
100	*	3018 1201 1	*	3018 1201 2	*	3907 12 000

Ground Drain Valve

DN DIN	Air/Spring 1.4301 (304) Silicone		Air/Spring 1.4404 (316L) Silicone		Air/Air 1.4301 (304) Silicone		Air/Air 1.4404 (316L) Silicone	
	Price/EUR	Article No.	Price/EUR	Article No.	Price/EUR	Article No.	Price/EUR	Article No.
25	*	3018 0530 1	*	3018 0530 2	*	3018 0520 1	*	3018 0520 2
40	*	3018 0730 1	*	3018 0730 2	*	3018 0720 1	*	3018 0720 2
50	*	3018 0830 1	*	3018 0830 2	*	3018 0820 1	*	3018 0820 2
65	*	3018 0930 1	*	3018 0930 2	*	3018 0920 1	*	3018 0920 2
80	*	3018 1030 1	*	3018 1030 2	*	3018 1020 1	*	3018 1020 2
100	*	3018 1230 1	*	3018 1230 2	*	3018 1220 1	*	3018 1220 2

Configuration Example T-Butterfly Valve and Switching Combination

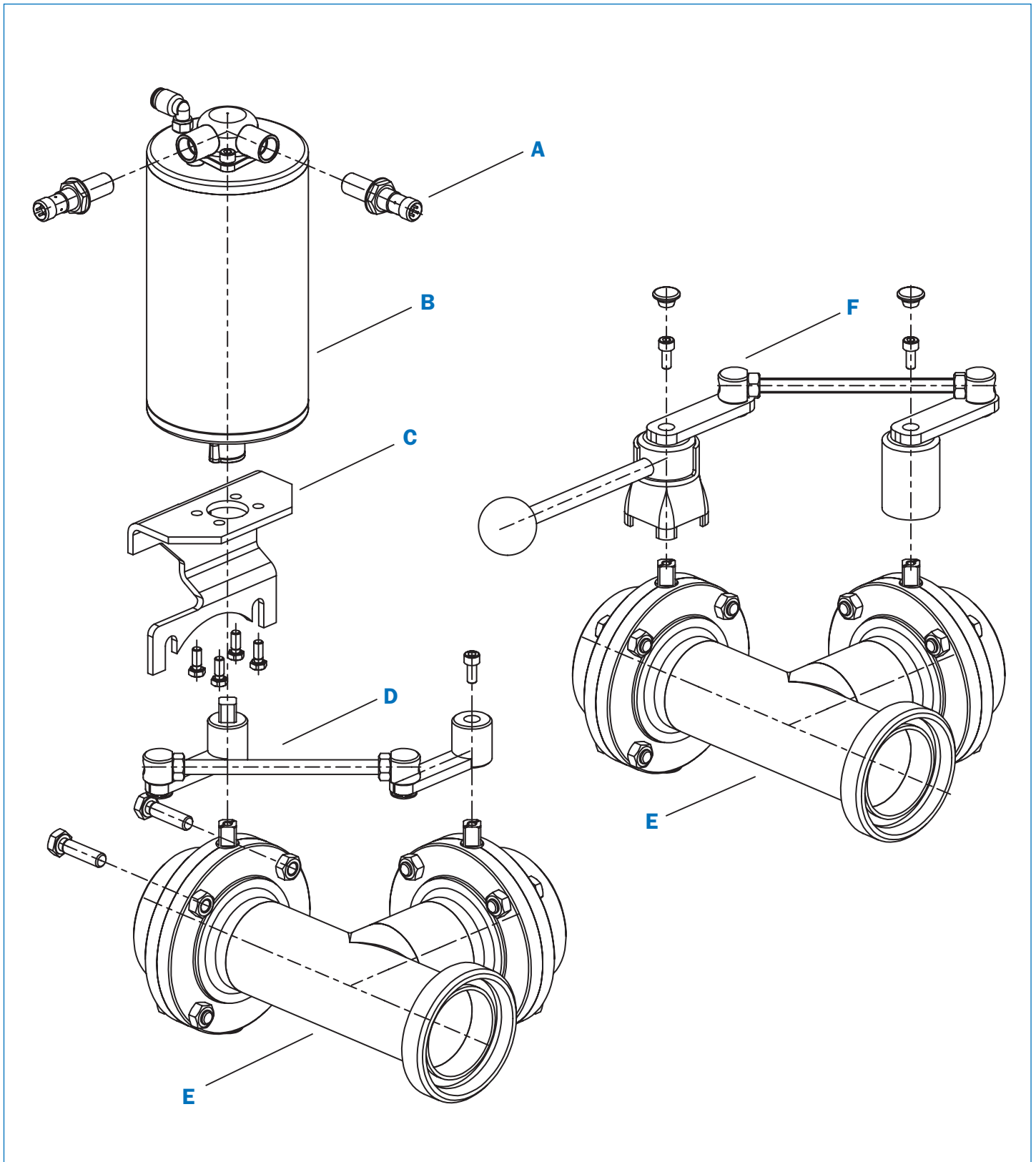
Straight Form



- A Proximity initiator, inductive
- B Pneumatic actuator version VMove®
- C Retaining plate

- D Switching combination
- E T-Butterfly valve
- F Switching combination with handle

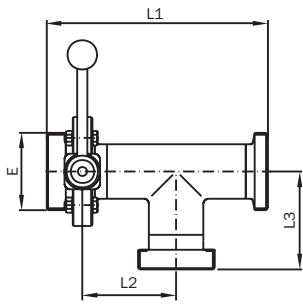
Angular shape



- A** Proximity initiator, inductive
- B** Pneumatic actuator version VMove®
- C** Retaining plate

- D** Switching combination
- E** T-Butterfly valve
- F** Switching combination with handle

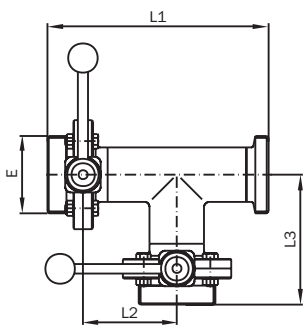
T-Butterfly Valves and Switching Combinations



larger nominal widths upon request

T-Butterfly Valve Thread/Thread/Thread DIN Type "A"

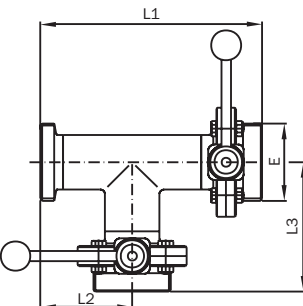
DN DIN	E	L1	L2	L3	Weight [kg]
25	Rd 52 x 1/6"	173	102	72	1.8
32	Rd 58 x 1/6"	184	108	77	1.9
40	Rd 65 x 1/6"	202	121	82	2.2
50	Rd 78 x 1/6"	223	131	93	2.7
65	Rd 95 x 1/6"	247	143	105	3.7
80	Rd 110 x 1/4"	284	170	115	7.6
100	Rd 130 x 1/4"	313	184	130	8.4



larger nominal widths upon request

T-Butterfly Valve Thread/Thread/Thread DIN Type "B"

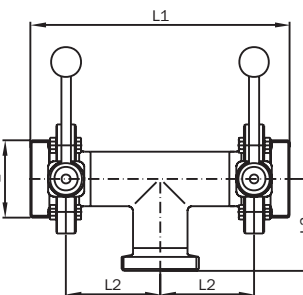
DN DIN	E	L1	L2	L3	Weight [kg]
25	Rd 52 x 1/6"	173	70	102	3.2
32	Rd 58 x 1/6"	184	76	108	3.4
40	Rd 65 x 1/6"	202	85	121	3.9
50	Rd 78 x 1/6"	223	95	131	4.6
65	Rd 95 x 1/6"	247	105	143	6.0
80	Rd 110 x 1/4"	284	120	170	10.5
100	Rd 130 x 1/4"	313	132	184	13.0



larger nominal widths upon request

T-Butterfly Valve Thread/Thread/Thread DIN Type "C"

DN DIN	E	L1	L2	L3	Weight [kg]
25	Rd 52 x 1/6"	173	70	102	3.2
32	Rd 58 x 1/6"	184	76	108	3.4
40	Rd 65 x 1/6"	202	85	121	3.9
50	Rd 78 x 1/6"	223	95	131	4.6
65	Rd 95 x 1/6"	247	105	143	6.0
80	Rd 110 x 1/4"	284	120	170	10.5
100	Rd 130 x 1/4"	313	132	184	13.0



larger nominal widths upon request

T-Butterfly Valve Thread/Thread/Thread DIN Type "D"

DN DIN	E	L1	L2	L3	Weight [kg]
25	Rd 52 x 1/6"	203	70	72	3.2
32	Rd 58 x 1/6"	215	76	77	3.4
40	Rd 65 x 1/6"	241	85	82	3.9
50	Rd 78 x 1/6"	261	95	93	4.6
65	Rd 95 x 1/6"	285	105	105	6.0
80	Rd 110 x 1/4"	339	120	115	10.5
100	Rd 130 x 1/4"	367	132	130	13.0

T-Butterfly Valves and Switching Combinations

T-Butterfly Valve Thread/Thread/Thread DIN Type "A"

DN DIN	manually actuated 1.4301 (304) Silicone		manually actuated 1.4404 (316L) Silicone		Air/Spring 1.4301 (304) Silicone		Air/Spring 1.4404 (316L) Silicone		Air/Air 1.4301 (304) Silicone		Air/Air 1.4404 (316L) Silicone	
	Price/EUR	Article No.	Price/EUR	Article No.	Price/EUR	Article No.	Price/EUR	Article No.	Price/EUR	Article No.	Price/EUR	Article No.
25	125.91	3301 0501 1	163.87	3301 0501 2	329.53	3301 0530 1	367.49	3301 0530 2	315.62	3301 0520 1	353.58	3301 0520 2
32	133.11	3301 0601 1	173.15	3301 0601 2	336.71	3301 0630 1	376.77	3301 0630 2	322.80	3301 0620 1	362.86	3301 0620 2
40	139.05	3301 0701 1	180.61	3301 0701 2	342.67	3301 0730 1	384.24	3301 0730 2	328.76	3301 0720 1	370.33	3301 0720 2
50	153.95	3301 0801 1	200.63	3301 0801 2	357.57	3301 0830 1	404.25	3301 0830 2	343.66	3301 0820 1	390.35	3301 0820 2
65	185.83	3301 0901 1	241.89	3301 0901 2	385.87	3301 0930 1	445.51	3301 0930 2	375.54	3301 0920 1	431.61	3301 0920 2
80	267.20	3301 1001 1	347.86	3301 1001 2	460.73	3301 1030 1	541.38	3301 1030 2	446.82	3301 1020 1	527.47	3301 1020 2
100	333.41	3301 1201 1	433.78	3301 1201 2	526.94	3301 1230 1	627.30	3301 1230 2	513.03	3301 1220 1	613.40	3301 1220 2

T-Butterfly Valve Thread/Thread/Thread DIN Type "B"

DN DIN	manually actuated 1.4301 (304) Silicone		manually actuated 1.4404 (316L) Silicone		Air/Spring 1.4301 (304) Silicone		Air/Spring 1.4404 (316L) Silicone		Air/Air 1.4301 (304) Silicone		Air/Air 1.4404 (316L) Silicone	
	Price/EUR	Article No.	Price/EUR	Article No.	Price/EUR	Article No.	Price/EUR	Article No.	Price/EUR	Article No.	Price/EUR	Article No.
25	202.39	3305 0501 1	263.19	3305 0501 2	609.64	3305 0530 1	670.43	3305 0530 2	581.82	3305 0520 1	642.62	3305 0520 2
32	213.00	3305 0601 1	276.43	3305 0601 2	620.25	3305 0630 1	683.67	3305 0630 2	592.43	3305 0620 1	655.86	3305 0620 2
40	218.96	3305 0701 1	284.53	3305 0701 2	626.20	3305 0730 1	691.78	3305 0730 2	598.39	3305 0720 1	663.96	3305 0720 2
50	238.52	3305 0801 1	309.74	3305 0801 2	645.76	3305 0830 1	716.98	3305 0830 2	617.95	3305 0820 1	689.17	3305 0820 2
65	290.80	3305 0901 1	378.53	3305 0901 2	698.04	3305 0930 1	785.78	3305 0930 2	670.23	3305 0920 1	757.96	3305 0920 2
80	430.48	3305 1001 1	546.67	3305 1001 2	817.53	3305 1030 1	933.72	3305 1030 2	815.28	3305 1020 1	905.91	3305 1020 2
100	535.27	3305 1201 1	669.28	3305 1201 2	922.32	3305 1230 1	1056.33	3305 1230 2	894.51	3305 1220 1	1028.51	3305 1220 2

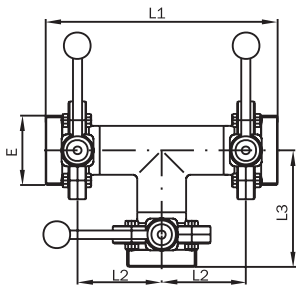
T-Butterfly Valve Thread/Thread/Thread DIN Type "C"

DN DIN	manually actuated 1.4301 (304) Silicone		manually actuated 1.4404 (316L) Silicone		Air/Spring 1.4301 (304) Silicone		Air/Spring 1.4404 (316L) Silicone		Air/Air 1.4301 (304) Silicone		Air/Air 1.4404 (316L) Silicone	
	Price/EUR	Article No.	Price/EUR	Article No.	Price/EUR	Article No.	Price/EUR	Article No.	Price/EUR	Article No.	Price/EUR	Article No.
25	202.39	3306 0501 1	263.19	3306 0501 2	609.64	3306 0530 1	670.43	3306 0530 2	581.82	3306 0520 1	642.62	3306 0520 2
32	213.00	3306 0601 1	276.43	3306 0601 2	620.25	3306 0630 1	683.67	3306 0630 2	592.43	3306 0620 1	655.86	3306 0620 2
40	218.96	3306 0701 1	284.53	3306 0701 2	626.20	3306 0730 1	691.78	3306 0730 2	598.39	3306 0720 1	663.96	3306 0720 2
50	238.52	3306 0801 1	309.74	3306 0801 2	645.76	3306 0830 1	716.98	3306 0830 2	617.95	3306 0820 1	689.17	3306 0820 2
65	290.80	3306 0901 1	378.53	3306 0901 2	698.04	3306 0930 1	785.78	3306 0930 2	670.23	3306 0920 1	757.96	3306 0920 2
80	430.48	3306 1001 1	546.67	3306 1001 2	817.53	3306 1030 1	933.72	3306 1030 2	815.28	3306 1020 1	905.91	3306 1020 2
100	535.27	3306 1201 1	669.28	3306 1201 2	922.32	3306 1230 1	1056.33	3306 1230 2	894.51	3306 1220 1	1028.51	3306 1220 2

T-Butterfly Valve Thread/Thread/Thread DIN Type "D"

DN DIN	manually actuated 1.4301 (304) Silicone		manually actuated 1.4404 (316L) Silicone		Air/Spring 1.4301 (304) Silicone		Air/Spring 1.4404 (316L) Silicone		Air/Air 1.4301 (304) Silicone		Air/Air 1.4404 (316L) Silicone	
	Price/EUR	Article No.	Price/EUR	Article No.	Price/EUR	Article No.	Price/EUR	Article No.	Price/EUR	Article No.	Price/EUR	Article No.
25	202.39	3304 0501 1	263.19	3304 0501 2	609.64	3304 0530 1	670.43	3304 0530 2	581.82	3304 0520 1	642.62	3304 0520 2
32	213.00	3304 0601 1	276.43	3304 0601 2	620.25	3304 0630 1	683.67	3304 0630 2	592.43	3304 0620 1	655.86	3304 0620 2
40	218.96	3304 0701 1	284.53	3304 0701 2	626.20	3304 0730 1	691.78	3304 0730 2	598.39	3304 0720 1	663.96	3304 0720 2
50	238.52	3304 0801 1	309.74	3304 0801 2	645.76	3304 0830 1	716.98	3304 0830 2	617.95	3304 0820 1	689.17	3304 0820 2
65	290.80	3304 0901 1	378.53	3304 0901 2	698.04	3304 0930 1	785.78	3304 0930 2	670.23	3304 0920 1	757.96	3304 0920 2
80	430.48	3304 1001 1	546.67	3304 1001 2	817.53	3304 1030 1	933.72	3304 1030 2	815.28	3304 1020 1	905.91	3304 1020 2
100	535.27	3304 1201 1	669.28	3304 1201 2	922.32	3304 1230 1	1056.33	3304 1230 2	894.51	3304 1220 1	1028.51	3304 1220 2

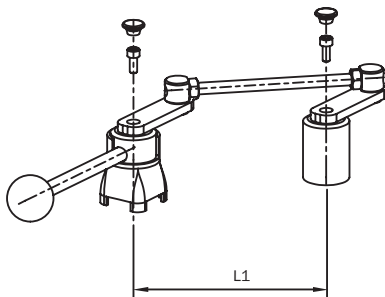
T-Butterfly Valves and Switching Combinations



larger nominal widths upon request

T-Butterfly Valve Thread/Thread/Thread DIN Type "E"

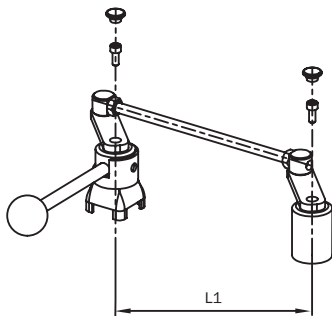
DN DIN	E	L1	L2	L3	Weight [kg]
25	52 x 1/6"	203	70	102	3.2
32	58 x 1/6"	215	76	108	3.4
40	65 x 1/6"	241	85	121	3.9
50	78 x 1/6"	261	95	131	4.6
65	95 x 1/6"	285	105	143	6.0
80	110 x 1/4"	339	120	170	10.5
100	130 x 1/4"	367	132	184	13.0



for T-Butterfly Valve Type "B" + "C"

Switching Combination angular Shape for T-Butterfly Valve manually actuated

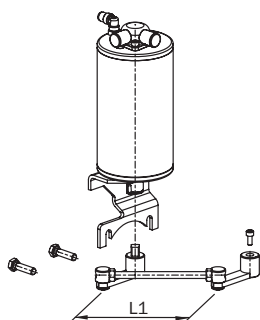
DN DIN	L1	Weight [kg]
25	99	0.85
32	107.5	0.86
40	120.2	0.88
50	134.4	0.89
65	148.5	0.89
80	167.7	1.70
100	186.7	1.70



for T-Butterfly Valve Type "D"

Switching Combination straight Form for T-Butterfly Valve manually actuated

DN DIN	L1	Weight [kg]
25	140	0.87
32	152	0.87
40	170	0.90
50	190	0.91
65	210	0.91
80	240	1.73
100	264	1.73



for T-Butterfly Valve Type "B" + "C"

Switching Combination angular Shape for T-Butterfly Valve with Actuator VMove®

DN DIN	L1
25	99
32	107.5
40	120.2
50	134.4
65	148.5
80	169.7
100	186.7

T-Butterfly Valves and Switching Combinations

T-Butterfly Valve Thread/Thread/Thread DIN Type "E"

DN DIN	manually actuated 1.4301 (304) Silicone		manually actuated 1.4404 (316L) Silicone		Air/Spring 1.4301 (304) Silicone		Air/Spring 1.4404 (316L) Silicone		Air/Air 1.4301 (304) Silicone		Air/Air 1.4404 (316L) Silicone	
	Price/EUR	Article No.	Price/EUR	Article No.	Price/EUR	Article No.	Price/EUR	Article No.	Price/EUR	Article No.	Price/EUR	Article No.
25	278.88	3307 0501 1	362.51	3307 0501 2	889.75	3307 0530 1	973.37	3307 0530 2	848.03	3307 0520 1	931.65	3307 0520 2
32	292.89	3307 0601 1	379.71	3307 0601 2	903.79	3307 0630 1	990.58	3307 0630 2	862.06	3307 0620 1	948.86	3307 0620 2
40	298.88	3307 0701 1	388.45	3307 0701 2	909.74	3307 0730 1	999.32	3307 0730 2	868.02	3307 0720 1	957.60	3307 0720 2
50	323.09	3307 0801 1	418.85	3307 0801 2	933.95	3307 0830 1	1029.72	3307 0830 2	892.23	3307 0820 1	987.99	3307 0820 2
65	395.77	3307 0901 1	515.18	3307 0901 2	1010.21	3307 0930 1	1126.04	3307 0930 2	964.91	3307 0920 1	1084.32	3307 0920 2
80	593.76	3307 1001 1	745.49	3307 1001 2	1174.34	3307 1030 1	1326.06	3307 1030 2	1183.74	3307 1020 1	1284.34	3307 1020 2
100	737.13	3307 1201 1	904.78	3307 1201 2	1317.70	3307 1230 1	1485.35	3307 1230 2	1275.98	3307 1220 1	1443.63	3307 1220 2

Switching Combination angular Shape for T-Butterfly Valve manually actuated

1.4301 (304)		
DN DIN	Price/EUR	Article No.
25	120.20	3920 050 00
32	120.20	3920 060 00
40	120.20	3920 070 00
50	120.20	3920 080 00
65	120.20	3920 090 00
80	143.95	3920 100 00
100	143.95	3920 120 00

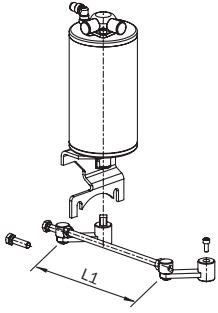
Switching Combination straight Form for T-Butterfly Valve manually actuated

1.4301 (304)		
DN DIN	Price/EUR	Article No.
25	120.20	3921 050 00
32	120.20	3921 060 00
40	120.20	3921 070 00
50	120.20	3921 080 00
65	120.20	3921 090 00
80	143.95	3921 100 00
100	143.95	3921 120 00

Switching Combination angular Shape for T-Butterfly Valve with Actuator VMove®

DN DIN	VMove® air/spring 1.4301 (304)		VMove® air/air 1.4301 (304)	
	Price/EUR	Article No.	Price/EUR	Article No.
25	414.41	3922 0552 1	341.44	3922 0554 1
32	414.41	3922 0652 1	341.44	3922 0654 1
40	414.41	3922 0752 1	341.44	3922 0754 1
50	414.41	3922 0852 1	341.44	3922 0854 1
65	414.41	3922 0952 1	341.44	3922 0954 1
80	478.28	3922 1052 1	405.30	3922 1054 1
100	478.28	3922 1252 1	405.30	3922 1254 1

T-Butterfly Valves and Switching Combinations



for T-Butterfly Valve Type "D"

Switching Combination straight form for T-Butterfly Valve with Actuator VMove®

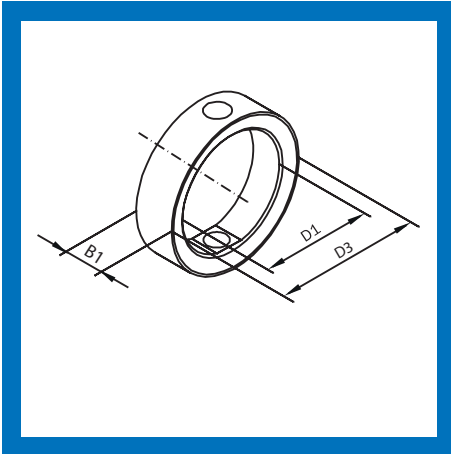
DN DIN	L1
25	140
32	152
40	170
50	190
65	210
80	240
100	264

T-Butterfly Valves and Switching Combinations

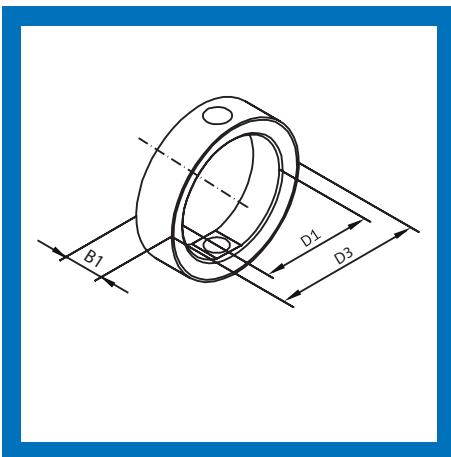
Switching Combination straight form for T-Butterfly Valve with Actuator VMove®

VMove® air/spring 1.4301 (304)		VMove® air/air 1.4301 (304)		
DN DIN	Price/EUR	Article No.	Price/EUR	Article No.
25	446.03	3923 0552 1	373.06	3923 0554 1
32	446.03	3923 0652 1	373.06	3923 0654 1
40	446.03	3923 0752 1	373.06	3923 0754 1
50	446.03	3923 0852 1	373.06	3923 0854 1
65	446.03	3923 0952 1	373.06	3923 0954 1
80	510.68	3923 1052 1	437.72	3923 1054 1
100	510.68	3923 1252 1	437.72	3923 1254 1

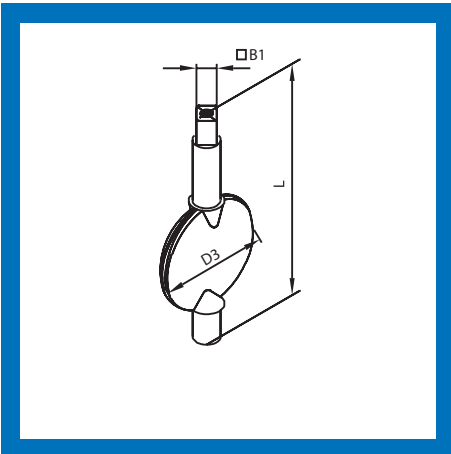
Seals, Valve Disks, Bushings and RFID Blanking Plugs



Seals for Butterfly Valve DIN				
DN DIN	D1	D3	B1	Weight [kg]
10	12	20	12.5	0.02
15	18	28	14.5	0.02
20	20	32	14.5	0.02
25	26	40	20	0.02
32	32	48	20	0.03
40	38	54	21	0.04
50	51	67	21	0.05
65	67	85	22	0.07
80	82	101	24	0.10
100	101	116	26	0.10
125	125	151	29	0.25
150	150	175	29	0.27
200	203	230	37	0.42



Seals for Butterfly Valve Inch (Series B)				
DN Inch	D1	D3	B1	Weight [kg]
1"	22	36	20	0.01
1 1/2"	35	52	20.4	0.02
2"	48	64	21.2	0.03
2 1/2"	60	79	22	0.04
3"	74	93	24	0.09
4"	96	117	23.7	0.08



Valve Disk for Butterfly Valve DIN				
DN DIN	D3	B1	L	Weight [kg]
10	10	9.5	47	0.03
15	16	9.5	49.5	0.03
20	20	9.5	60.5	0.04
25	26	9.5	80	0.05
32	32	9.5	87.5	0.06
40	38	9.5	93.5	0.10
50	50	9.5	111	0.15
65	66	9.5	128	0.24
80	81	9.5	144	0.39
100	100	9.5	164	0.63
125	125	14	207	1.16
150	150	14	236.5	2.00
200	200	14	320	4.25

Seals, Valve Disks, Bushings and RFID Blanking Plugs

Seals for Butterfly Valve DIN

VMQ (silicone)			EPDM			FKM			HNBR		
DN DIN	Price/EUR	Article No.	Price/EUR	Article No.	Additional cost	Price/EUR	Article No.	Additional cost	Price/EUR	Article No.	Additional cost
10	12.75	3801 0100 0	12.75	3801 0100 1		37.25	3801 0100 2	24.50			
15	12.75	3801 0300 0	12.75	3801 0300 1		37.25	3801 0300 2	24.50			
20	12.75	3801 0400 0	12.75	3801 0400 1		37.25	3801 0400 2	24.50			
25	5.32	3801 0500 0	9.51	3801 0500 1	4.19	13.42	3801 0500 2	8.10	12.60	3801 0500 5	7.28
32	5.53	3801 0600 0	11.15	3801 0600 1	5.62	16.45	3801 0600 2	10.92	15.41	3801 0600 5	9.88
40	5.68	3801 0700 0	13.81	3801 0700 1	8.13	21.63	3801 0700 2	15.95	20.31	3801 0700 5	14.63
50	5.79	3801 0800 0	15.96	3801 0800 1	10.17	26.60	3801 0800 2	20.81	24.96	3801 0800 5	19.17
65	7.74	3801 0900 0	19.50	3801 0900 1	11.76	31.49	3801 0900 2	23.75	29.50	3801 0900 5	21.76
80	11.73	3801 1000 0	26.05	3801 1000 1	14.32	39.44	3801 1000 2	27.71	40.03	3801 1000 5	28.30
100	19.87	3801 1200 0	36.23	3801 1200 1	16.36	56.56	3801 1200 2	36.69	53.06	3801 1200 5	33.19
125	30.14	3801 1300 0	50.64	3801 1300 1	20.50	71.76	3801 1300 2	41.62	77.29	3801 1300 5	47.15
150	37.26	3801 1500 0	83.30	3801 1500 1	46.04	127.63	3801 1500 2	90.37	149.83	3801 1500 5	112.57
200	86.48	3801 2000 0	*	3801 2000 1	*	*	3801 2000 2	*	*	3801 2000 5	*

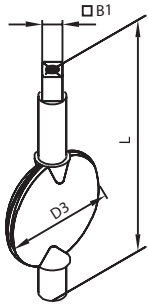
Seals for Butterfly Valve Inch (Series B)

VMQ (silicone)			EPDM			FKM			
DN Inch	Price/EUR	Article No.	Price/EUR	Article No.	Additional cost	Price/EUR	Article No.	Additional cost	
1"	5.32	3801 5400 0	9.51	3801 5400 1	4.19	13.42	3801 5400 2	8.10	
1 1/2"	5.68	3801 5700 0	13.81	3801 5700 1	8.13	21.63	3801 5700 2	15.95	
2"	5.79	3801 5800 0	15.96	3801 5800 1	10.17	26.60	3801 5800 2	20.81	
2 1/2"	7.74	3801 5900 0	19.50	3801 5900 1	11.76	31.49	3801 5900 2	23.75	
3"	10.17	3801 6000 0	24.79	3801 6000 1	14.62	33.00	3801 6000 2	22.83	
4"	19.87	3801 6200 0	36.23	3801 6200 1	16.36	56.56	3801 6200 2	36.69	

Valve Disk for Butterfly Valve DIN

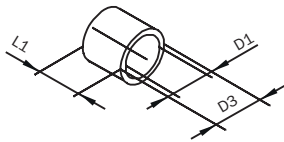
1.4301 (304)/1.4307 (304L)			1.4404 (316L)		
DN DIN	Price/EUR	Article No.	Price/EUR	Article No.	
10	18.85	3800 0101 1	20.40	3800 0101 2	
15	18.85	3800 0301 1	20.40	3800 0301 2	
20	18.85	3800 0401 1	20.40	3800 0401 2	
25	18.30	3800 0501 1	19.94	3800 0501 2	
32	19.38	3800 0601 1	21.07	3800 0601 2	
40	19.58	3800 0701 1	21.32	3800 0701 2	
50	22.14	3800 0801 1	23.88	3800 0801 2	
65	27.46	3800 0901 1	29.30	3800 0901 2	
80	38.86	3800 1001 1	41.47	3800 1001 2	
100	48.52	3800 1201 1	53.74	3800 1201 2	
125	101.08	3800 1301 1	110.59	3800 1301 2	
150	179.46	3800 1501 1	191.73	3800 1501 2	
200			423.80	3800 2001 2	

Seals, Valve Disks, Bushings and RFID Blanking Plugs



Valve Disk for Butterfly Valve Inch Series B

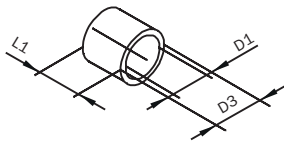
DN Inch	D3	B1	L	Weight [kg]
1"	22.3	9.5	80	0.06
1 1/2"	35.1	9.5	93.5	0.09
2"	47.5	9.5	111	0.13
2 1/2"	60.2	9.5	128	0.20
3"	72.1	9.5	144	0.30
4"	97.4	9.5	165	0.53



Bushing

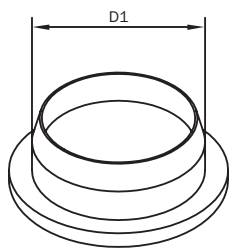
DN DIN	DN Inch	D1	D3	L1	Weight [kg]
10		6	8	5	0.001
15 - 20		8	10	6	0.001
25 - 32	1"	10	12	5	0.001
40 - 65	1 1/2" - 2 1/2"	12	14	10	0.001
80 - 100	3" - 4"	14	16	12	0.001
125 - 150		18	20	18	0.001
200		22	26	30	0.001

For use at up to 150°C



Bushing, conductive for ATEX

DN DIN	DN Inch	D1	D3	L1
10		6	8	5
15 - 20		8	10	6
25 - 32	1"	10	12	5
40 - 65	1 1/2" - 2 1/2"	12	14	9
80 - 100	3" - 4"	14	16	11
125 - 150		18	20	18
200		22	26	30



RFID blanking plugs

DN DIN	DN Inch	DN ISO	DN SMS	D1	Weight [kg]
20 - 32	1"	33.7 - 42.4	25	10	0.002
40 - 65	1 1/2" - 2 1/2"	48.3 - 76.1	38 - 63.5	12	0.002
80 - 100	3" - 4"	88.9 - 114.3	76.1 - 101.6	14	0.003
125 - 150		139.7 - 168.3		18	0.004
200				26	0.006

Color: bright orange

Seals, Valve Disks, Bushings and RFID Blanking Plugs

Valve Disk for Butterfly Valve Inch Series B

1.4301 (304)/1.4307 (304L)		1.4404 (316L)		
DN Inch	Price/EUR	Article No.	Price/EUR	Article No.
1"	18.30	3600 5401 1	19.95	3600 5401 2
1 1/2"	19.60	3600 5701 1	21.35	3600 5701 2
2"	22.15	3600 5801 1	23.90	3600 5801 2
2 1/2"	27.50	3600 5901 1	29.30	3600 5901 2
3"	38.86	3800 6001 1	41.47	3800 6001 2
4"	48.55	3600 6201 1	53.75	3600 6201 2

Bushing

DN DIN	DN Inch	Price/EUR	Article No.
10		2.20	1131
15 - 20		2.20	1032
25 - 32	1"	2.20	3810 060 14
40 - 65	1 1/2" - 2 1/2"	2.70	3810 090 14
80 - 100	3" - 4"	3.00	3810 120 14
125 - 150		3.75	3810 150 14
200		6.20	3810 200 14

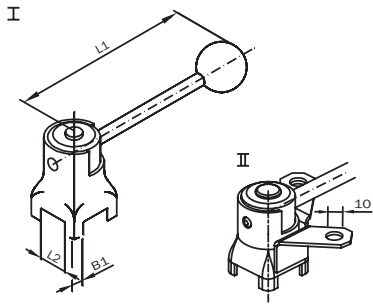
Bushing, conductive for ATEX

DN DIN	DN Inch	Price/EUR	Article No.	Additional cost
10		4.35	1137	2.15
15 - 20		4.35	1071	2.15
25 - 32	1"	4.50	1040	2.30
40 - 65	1 1/2" - 2 1/2"	9.65	1050	6.95
80 - 100	3" - 4"	10.25	1051	7.25
125 - 150		13.25	1065	9.50
200		18.60	1072	12.40

RFID blanking plugs

DN DIN	DN Inch	DN ISO	DN SMS	Price/EUR	Article No.
20 - 32	1"	33.7 - 42.4	25	11.65	3955 060 00
40 - 65	1 1/2" - 2 1/2"	48.3 - 76.1	38 - 63.5	11.65	3955 090 00
80 - 100	3" - 4"	88.9 - 114.3	76.1 - 101.6	12.70	3955 120 00
125 - 150		139.7 - 168.3		13.60	3955 150 00
200				14.45	3955 200 00

Handles and Accessories



I - Standard II - lockable also available with stainless steel ball

Standard Handle with Ball

DN DIN	DN Inch	B1	L1	L2	Weight [kg]
10 - 32	1"	9.5	107	20	0.40
40 - 65	1 1/2" - 2 1/2"	9.5	137	20	0.41
80 - 100	3" - 4"	9.5	167	32	0.85
125 - 150		14	248	32	1.83
200		14	276	32	1.92

Plastic Handle

DN DIN	DN Inch	B1	L1	L2	Weight [kg]
10 - 40	1" - 1 1/2"	9.5	105	20	0.15
50 - 65	2" - 2 1/2"	9.5	166	20	0.18
80 - 100	3" - 4"	9.5	166	32	0.17

Scissor Handle

DN DIN	DN Inch	B1	L1	L2	Weight [kg]
25 - 65	1" - 2 1/2"	9.5	145	20	0.29
80 - 100	3" - 4"	9.5	145	32	0.29

Handle, stepless

DN DIN	DN Inch	B1	L1	L2	Weight [kg]
25 - 65	1" - 2 1/2"	9.5	126	20	0.59
80 - 100	3" - 4"	9.5	145	32	0.97
125 - 200		14	233	32	2.17

Handles and Accessories

Standard Handle with Ball

		with plastic ball 1.4307 (304L)		with stainless steel ball 1.4307 (304L)		lockable with plastic ball 1.4307 (304L)		
DN DIN	DN Inch	Price/EUR	Article No.	Price/EUR	Article No.	Price/EUR	Article No.	
10 - 32	1"	18.53	3901 060 00	40.94	3940 060 00	78.08	3961 060 00	
40 - 65	1 1/2" - 2 1/2"	18.53	3901 090 00	40.94	3940 090 00	78.08	3961 090 00	
80 - 100	3" - 4"	34.00	3901 120 00	64.72	3940 120 00	94.84	3961 120 00	
125 - 150		67.57	3901 150 00	71.92	3940 150 00	102.66	3961 150 00	
200		72.22	3901 200 00	138.31	3940 200 00			

Plastic Handle

DN DIN	DN Inch	Price/EUR	Article No.	
10 - 40	1" - 1 1/2"	12.88	3903 072 00	
50 - 65	2" - 2 1/2"	13.86	3903 092 00	
80 - 100	3" - 4"	13.86	3903 122 00	

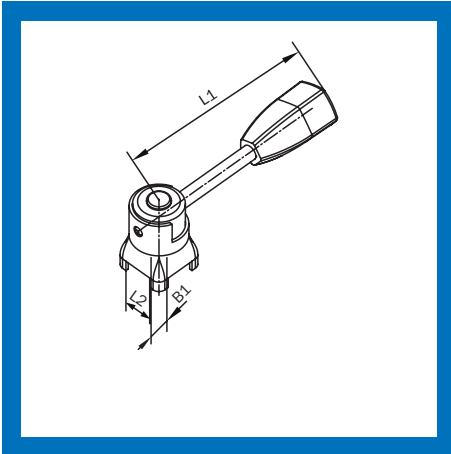
Scissor Handle

		1.4307 (304L)		
DN DIN	DN Inch	Price/EUR	Article No.	
25 - 65	1" - 2 1/2"	22.29	3903 090 00	
80 - 100	3" - 4"	25.31	3903 120 00	

Handle, stepless

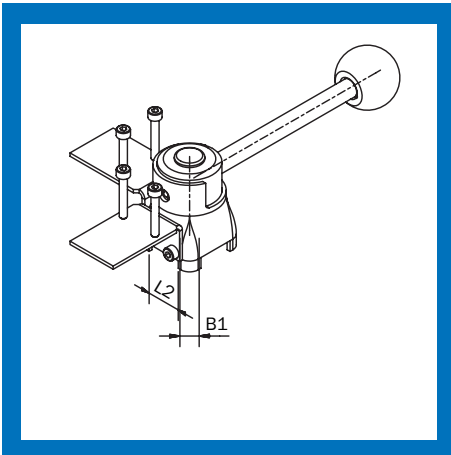
		1.4301 (304)		
DN DIN	DN Inch	Price/EUR	Article No.	
25 - 65	1" - 2 1/2"	39.42	3902 090 00	
80 - 100	3" - 4"	48.19	3902 120 00	
125 - 200		84.90	3902 200 00	

Handles and Accessories



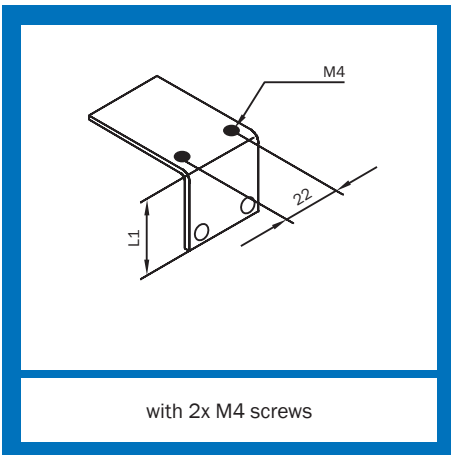
Five-corner Handle

DN DIN	DN Inch	B1	L1	L2	Weight [kg]
10 - 32	1"	9.5	93	20	0.41
40 - 65	1 1/2" - 2 1/2"	9.5	119	20	0.43
80 - 100	3" - 4"	9.5	170	32	0.90



Handle for mechanical Limit Switch

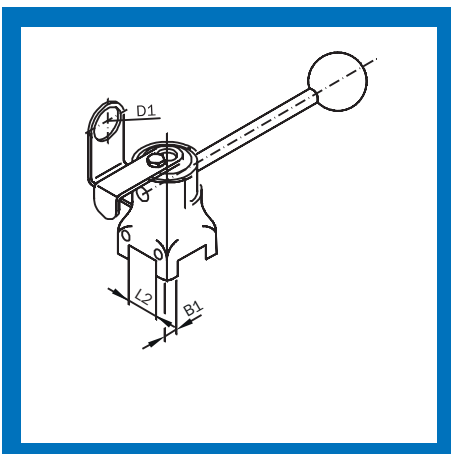
DN DIN	DN Inch	B1	L2	Weight [kg]
10 - 32	1"	9.5	20	0.62
40 - 65	1 1/2" - 2 1/2"	9.5	20	0.63
80 - 100	3" - 4"	9.5	32	1.06
125 - 150		14	32	2.04
200		14	32	2.12



Retaining Plate for mechanical Limit Switch

DN DIN	DN Inch	L1
10 - 65	1" - 2 1/2"	15
80 - 100	3" - 4"	20
125 - 200		25

with 2x M4 screws



Handle for Inductive Sensor (installation position horizontal)

DN DIN	DN Inch	D1	B1	L2	Weight [kg]
10 - 32	1"	12.3	9.5	20	0.8
40 - 65	1 1/2" - 2 1/2"	12.3	9.5	20	0.9
80 - 100	3" - 4"	12.3	9.5	32	1.3
125 - 150		12.3	14	32	2.3
200		12.3	14	32	2.0
10 - 32	1"	18.3	9.5	20	0.8
40 - 65	1 1/2" - 2 1/2"	18.3	9.5	20	0.9
80 - 100	3" - 4"	18.3	9.5	32	1.3
125 - 150		18.3	14	32	2.3
200		18.3	14	32	2.0

Handles and Accessories

Five-corner Handle

1.4307 (304L)			
DN DIN	DN Inch	Price/EUR	Article No.
10 - 32	1"	18.53	3943 060 00
40 - 65	1 1/2" - 2 1/2"	18.53	3943 090 00
80 - 100	3" - 4"	34.00	3943 120 00

Handle for mechanical Limit Switch

Open/Closed 1.4301 (304) / 1.4307 (304L)			
DN DIN	DN Inch	Price/EUR	Article No.
10 - 32	1"	51.03	3904 060 00
40 - 65	1 1/2" - 2 1/2"	51.03	3904 090 00
80 - 100	3" - 4"	72.11	3904 120 00
125 - 150		*	3904 150 00
200		*	3904 200 00

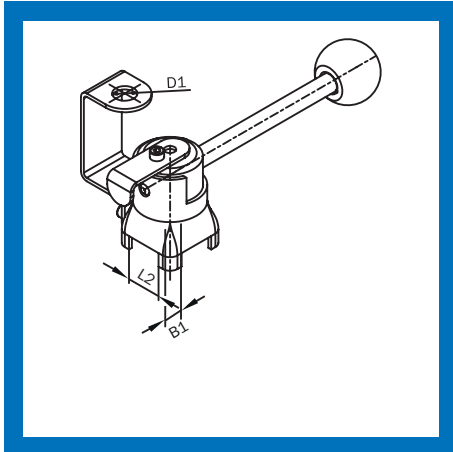
Retaining Plate for mechanical Limit Switch

1.4301 (304)			
DN DIN	DN Inch	Price/EUR	Article No.
10 - 65	1" - 2 1/2"	14.05	3904 090 01
80 - 100	3" - 4"	16.87	3904 120 01
125 - 200		*	3904 200 01

Handle for Inductive Sensor (installation position horizontal)

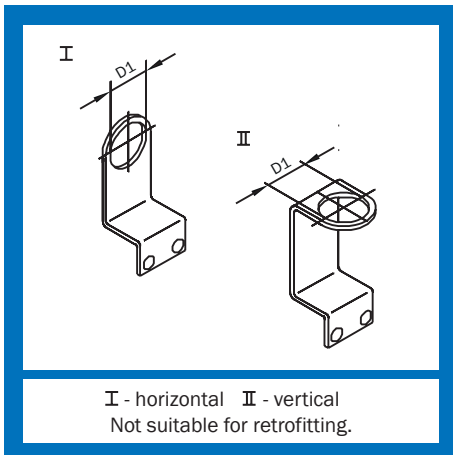
Open/Closed 1.4301 (304) / 1.4307 (304L)			
DN DIN	DN Inch	Price/EUR	Article No.
10 - 32	1"	38.24	3905 060 10
40 - 65	1 1/2" - 2 1/2"	38.24	3905 090 10
80 - 100	3" - 4"	57.62	3905 120 10
125 - 150		102.46	3905 150 10
200		102.46	3905 200 10

Handles and Accessories



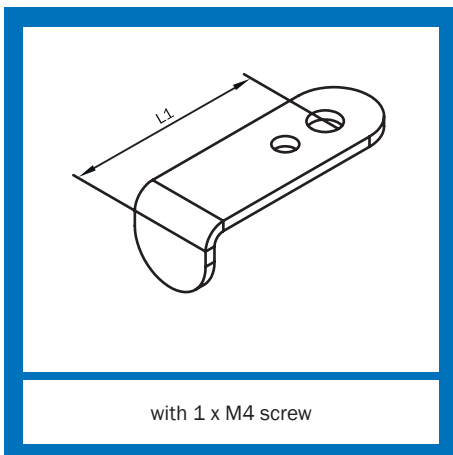
Handle for Inductive Sensor (installation position vertical)

DN DIN	DN Inch	D1	B1	L2	Weight [kg]
10 - 32	1"	12.3	9.5	20	0.8
40 - 65	1 1/2" - 2 1/2"	12.3	9.5	20	0.9
80 - 100	3" - 4"	12.3	9.5	32	1.3
125 - 150		12.3	14	32	2.3
200		12.3	14	32	2.4
10 - 32	1"	18.3	9.5	20	0.8
40 - 65	1 1/2" - 2 1/2"	18.3	9.5	20	0.9
80 - 100	3" - 4"	18.3	9.5	32	1.3
125 - 150		18.3	14	32	2.3
200		18.3	14	32	2.4



Spare Part Retaining Plate for Inductive Sensor

DN DIN	DN Inch	D1
10 - 65	1" - 2 1/2"	12.3
80 - 100	3" - 4"	12.3
125 - 200		12.3
10 - 65	1" - 2 1/2"	18.3
80 - 100	3" - 4"	18.3
125 - 200		18.3



Contact Plate for Inductive Sensor

DN DIN	DN Inch	L1
10 - 100	1" - 4"	35
125 - 200		45

Handles and Accessories

Handle for Inductive Sensor (installation position vertical)

Open/Closed 1.4301 (304) / 1.4307 (304L)			
DN DIN	DN Inch	Price/EUR	Article No.
10 - 32	1"	38.24	3906 060 10
40 - 65	1 1/2" - 2 1/2"	38.24	3906 090 10
80 - 100	3" - 4"	57.62	3906 120 10
125 - 150		102.46	3906 150 10
200		102.46	3906 200 10
10 - 32	1"	38.24	3906 060 00
40 - 65	1 1/2" - 2 1/2"	38.24	3906 090 00
80 - 100	3" - 4"	57.62	3906 120 00
125 - 150		102.46	3906 150 00
200		102.46	3906 200 00

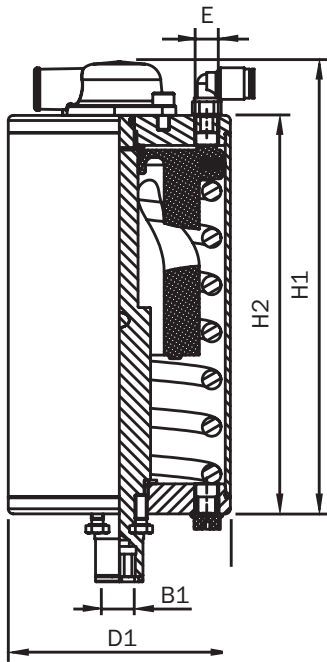
Spare Part Retaining Plate for Inductive Sensor

		horizontal 1.4301 (304) / 1.4307 (304L)		vertical 1.4301 (304) / 1.4307 (304L)	
DN DIN	DN Inch	Price/EUR	Article No.	Price/EUR	Article No.
10 - 65	1" - 2 1/2"	5.55	3905 091 03	5.55	3906 091 03
80 - 100	3" - 4"	7.52	3905 121 03	7.52	3906 121 03
125 - 200		11.73	3905 201 03	11.73	3906 201 03
10 - 65	1" - 2 1/2"	5.55	3905 091 01	5.55	3906 091 01
80 - 100	3" - 4"	7.52	3905 121 01	7.52	3906 121 01
125 - 200		11.73	3905 201 01	11.73	3906 201 01

Contact Plate for Inductive Sensor

1.4301 (304) / 1.4307 (304L)			
DN DIN	DN Inch	Price/EUR	Article No.
10 - 100	1" - 4"	4.22	3905 121 02
125 - 200		6.98	3905 201 02

Actuators and Accessories



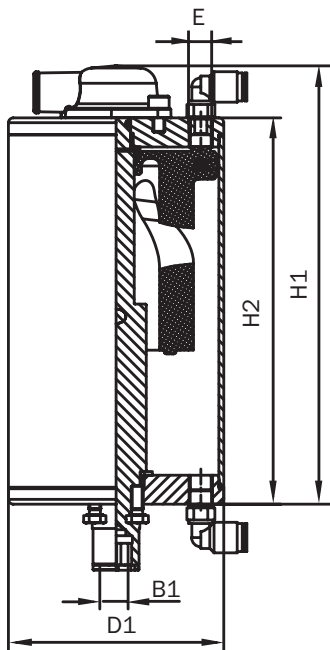
5 - 10 bar

Pneumatic Actuator VMove® Air/Spring

DN DIN	DN Inch	D1	E	B1	H1	H2	Design	Weight [kg]
10 - 40		70	G 1/8"	9.5	171.5	150	VMove® 0	2.4
25 - 100	1" - 4"	89	G 1/8"	9.5	181	159.50	VMove® 1	3.14
125 - 200	5" - 6"	129	G 1/8"	14	238.5	217	VMove® 2	9.45

Pneumatic Actuator VMove® Air/Air

DN DIN	DN Inch	D1	E	B1	H1	H2	Design	Weight [kg]
25 - 100	1" - 4"	89	G 1/8"	9.5	181	159.5	VMove® 1	2.22
125 - 200	5" - 6"	129	G 1/8"	14	238.5	217	VMove® 2	7.5



3 - 6 bar

Actuators and Accessories

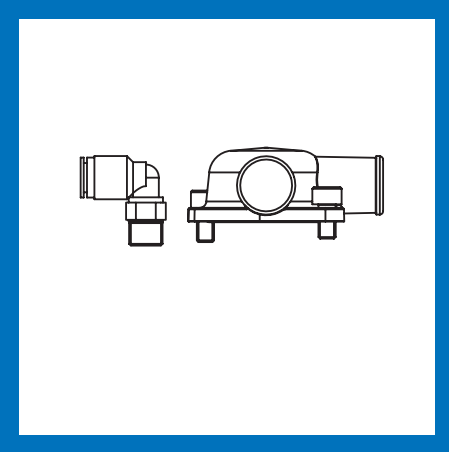
Pneumatic Actuator VMove® Air/Spring

clockwise			
DN DIN	DN Inch	Price/EUR	Article No.
10 - 40		189.35	3950 070 00E
25 - 100	1" - 4"	202.22	3952 120 00
125 - 200	5" - 6"	566.00	3952 200 00

Pneumatic Actuator VMove® Air/Air

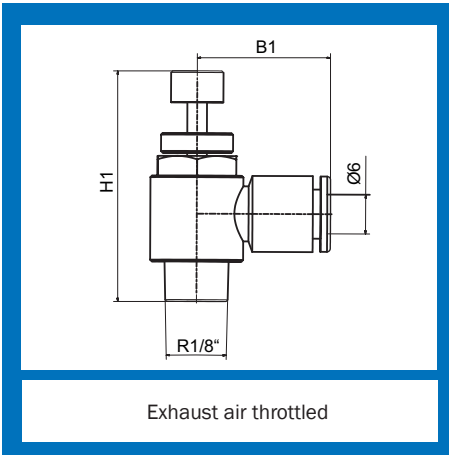
clockwise			
DN DIN	DN Inch	Price/EUR	Article No.
25 - 100	1" - 4"	188.31	3954 120 00
125 - 200	5" - 6"	505.16	3954 200 00

Actuators and Accessories



Service Kit Position Indicator for VMove®

DN DIN	Weight [kg]
10 - 100	0.07
125 - 200	0.08



Angle Throttle Check Valve

E	H1	B1	Weight [kg]
R 1/8"	35	28	0.019

Actuators and Accessories

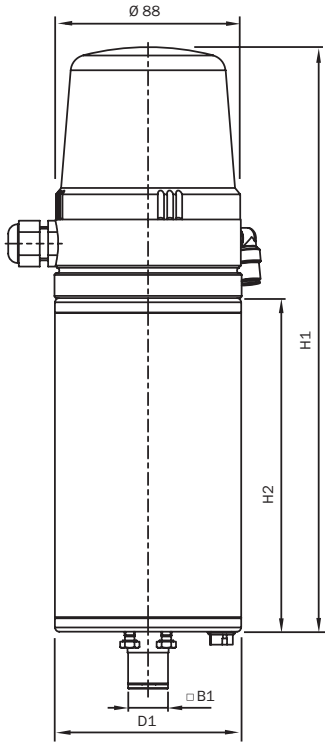
Service Kit Position Indicator for VMove®

DN DIN	Price/EUR	Article No.
10 - 100	9.20	3952 122 00
125 - 200	9.80	3952 202 00

Angle Throttle Check Valve

E	Price/EUR	Article No.
R 1/8"	16.50	420093

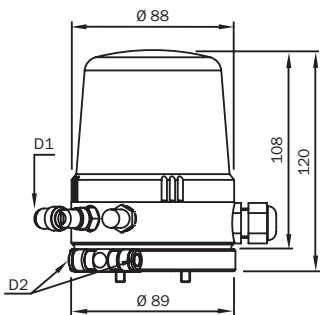
Actuators and Accessories



not for L/L version

VMove® L/F Actuator with VMON® Control Head

DN DIN	D1	B1	H1	H2	Weight [kg]
25 - 100	89	9.5	279.5	159.5	4.02
125 - 200	129	14	337	217	10.31



The adaption is possible only for VMove® L/F
Drive possible. L/L not possible.

Retrofit Set VMON® for VMove®

DN	Designation	D1	D2	Weight [kg]
25 - 200	VMON®-VMove® Adaption Standard			0.93
25 - 150	VMON®-VMove® Adaption Leakage Butterfly Valve with Sensor Response	6	4	0.94
25 - 150	VMON®-VMove® Adaption Leakage Butterfly Valve without Sensor Response	6	6	0.97

Spare parts:

O-ring

Solenoid Actuation complete

Spare parts for VMON® Control Head

Spare part

VMON® Control Head

Cap, plastic

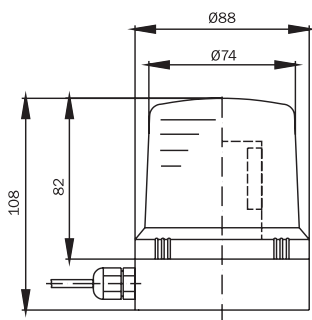
3/2-way solenoid valve NC complete with seal and screws

O-ring

Filter/Silencer G 1/8"

Solenoid D8, 5 d3, 2 H6

Shaped packing for control head AWH



Actuators and Accessories

VMove® L/F Actuator with VMON® Control Head

24V DC / Terminal Bar and PG Screw Connection		ASI / 4-Pin Plug Connection		24V DC / 8-Pin Plug Connection		
DN DIN	Price/EUR	Article No.	Price/EUR	Article No.	Price/EUR	Article No.
25 - 100	585.70	3958 12 000	642.00	3958 12 100	641.70	3958 12 070
125 - 200	765.00	3958 20 000	795.00	3958 20 100	821.00	3958 20 070

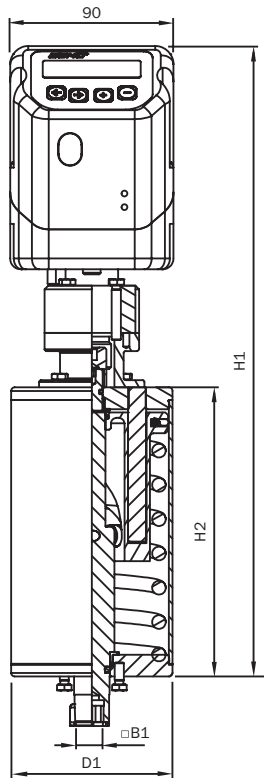
Retrofit Set VMON® for VMove®

24V DC / Terminal Bar and PG Screw Connection		ASI / 4-Pin Plug Connection		24V DC / 8-Pin Plug Connection		
DN	Price/EUR	Article No.	Price/EUR	Article No.	Price/EUR	Article No.
25 - 200	331.70	3958 12 001	446.00	3958 12 101	379.70	3958 12 071
25 - 150	362.60	3958 12 051	477.00	3958 12 151	410.60	3958 12 081
25 - 150	362.60	3958 12 061	477.00	3958 12 161	410.60	3958 12 091
	2.00	1060 500 003 254				
	22.80	3958 120 30				

Spare parts for VMON® Control Head

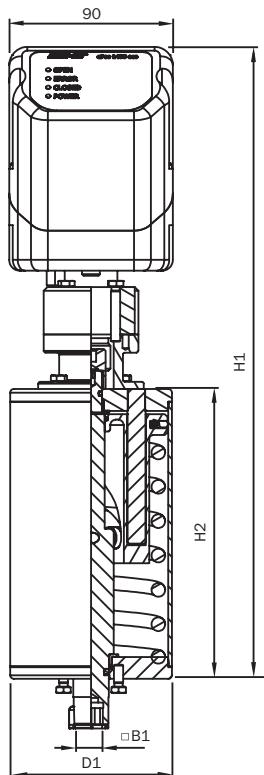
24V DC		ASI		24V standard Plug connection		
Price/EUR	Article No.	Price/EUR	Article No.	Price/EUR	Article No.	
271.50	3937 12 001	385.80	3939 12 001	318.35	3957 12 001	
9.65	3937 12 101					
78.10	3937 12 102					
4.00	3937 12 103					
8.15	3937 12 104					
1.70	3937 12 106					
4.25	3937 12 107					

Actuators and Accessories



Actuator VMove® with Gemü 1436cPos

DN DIN	D1	B1	H1	H2	Weight [kg]
25 - 100	89	9.5	347.5	159.5	4.40
125 - 200	129	14	405	217	10.71



Actuator VMove® with Gemü 1436cPos eco

DN DIN	D1	B1	H1	H2	Weight [kg]
25 - 100	89	9.5	347.5	159.5	4.38
125 - 200	129	14	405	217	10.69

Actuators and Accessories

Actuator VMove® with Gemü 1436cPos

Position Controller			Process and Position Controller	
DN DIN	Price/EUR	Article No.	Price/EUR	Article No.
25 - 100	2172.00	3958 122 00	2399.15	3958 123 50
125 - 200	2470.00	3958 202 00	2697.15	3958 203 50

Actuator VMove® with Gemü 1436cPos eco

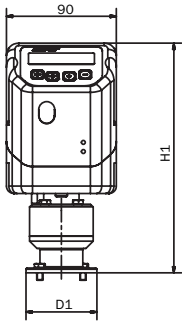
Position Controller		
DN DIN	Price/EUR	Article No.
25 - 100	1780.00	3958 123 00
125 - 200	2221.00	3958 203 00



Actuators and Accessories

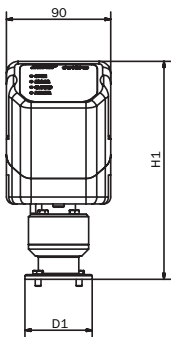
Retrofit set GEMÜ 1436cPos for VMove®

DN DIN	D1	H1	Weight [kg]
25 - 200	58	188	1.29



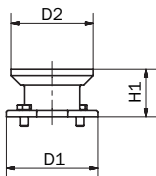
Retrofit Set GEMÜ 1436cPos eco for VMove®

DN DIN	D1	H1	Weight [kg]
25 - 200	58	188	1.27



Retrofit Set GEMÜ 1436 and GEMÜ 1436eco for VMove®

DN DIN	D1	D2	H1	Weight [kg]
25 - 200	58	52	30	0.28



Actuators and Accessories

Retrofit set GEMÜ 1436cPos for VMove®

Position Controller			Process and Position Controller	
DN DIN	Price/EUR	Article No.	Price/EUR	Article No.
25 - 200	1984.00	3958 122 01	2211.15	3958 123 51

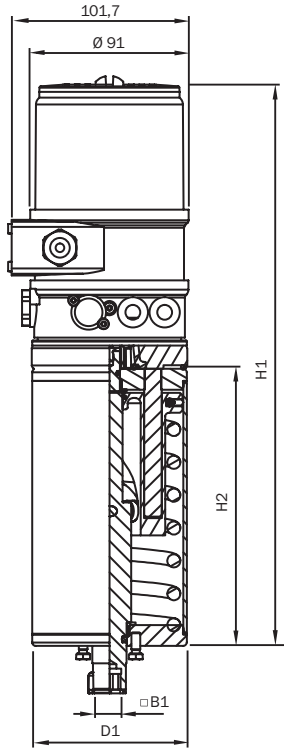
Retrofit Set GEMÜ 1436cPos eco for VMove®

Position Controller		
DN DIN	Price/EUR	Article No.
25 - 200	1592.00	3958 123 01

Retrofit Set GEMÜ 1436 and GEMÜ 1436eco for VMove®

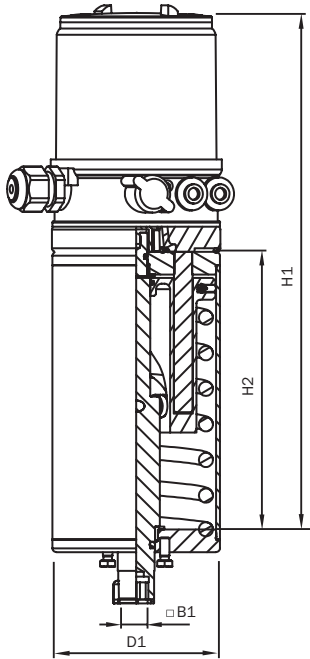
1.4301 (304) /1.4307 (304L)		
DN DIN	Price/EUR	Article No.
25 - 200	87.65	3958 122 51

Actuator VMove® with Bürkert 8692 and Bürkert 8693



DN DIN	D1	B1	H1	H2	Weight [kg]
25 - 100	89	9.5	323.5	159.5	4.75
125 - 200	129	14	381	217	11.06

Actuator VMove® with Bürkert 8694



DN DIN	D1	B1	H1	H2	Weight [kg]
25 - 100	89	9.5	286.2	159.5	4.52
125 - 200	129	14	343.7	217	10.83

Actuators and Accessories

Actuator VMove® with Bürkert 8692 and Bürkert 8693

Position Controller 8692			Process and Position Controller 8693	
DN DIN	Price/EUR	Article No.	Price/EUR	Article No.
25 - 100	2975.00	3958 125 00	3053.00	3958 124 00
125 - 200	3338.00	3958 205 00	3415.00	3958 204 00

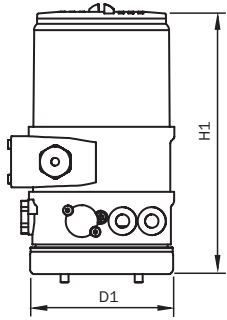
Actuator VMove® with Bürkert 8694

Position Controller 8694		
DN DIN	Price/EUR	Article No.
25 - 100	2115.00	3958 124 50
125 - 200	2479.00	3958 204 50

Actuators and Accessories

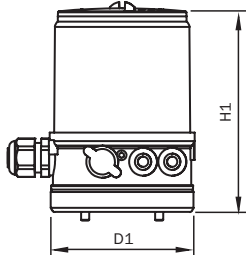
Retrofit set Bürkert 8692 and Bürkert 8693 for VMove®

DN DIN	D1	H1	Weight [kg]
25 - 200	89.5	164	1.66



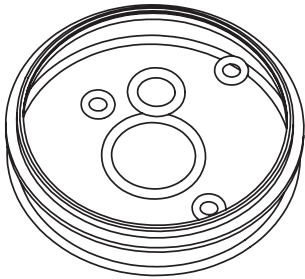
Retrofit Set Bürkert 8694 for VMove®

DN DIN	D1	H1	Weight [kg]
25 - 200	89.5	126.7	1.48



Sealing Set VMove® 1-Bürkert for 8692/8693/8694

DN DIN	Weight [kg]
25 - 200	0.007



Actuators and Accessories

Retrofit set Bürkert 8692 and Bürkert 8693 for VMove®

Position Controller 8692			Process and Position Controller 8693	
DN DIN	Price/EUR	Article No.	Price/EUR	Article No.
25 - 200	2772.50	3958 125 01	2850.50	3958 124 01

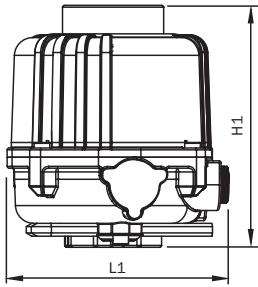
Retrofit Set Bürkert 8694 for VMove®

Position Controller 8694		
DN DIN	Price/EUR	Article No.
25 - 200	1912.50	3958 124 51

Sealing Set VMove® 1-Bürkert for 8692/8693/8694

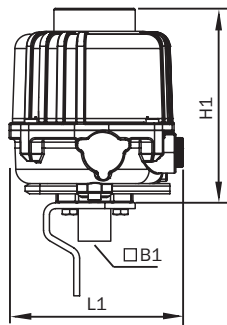
Sealing Set		
DN DIN	Price/EUR	Article No.
25 - 200	49.20	3958 124 10

Actuators and Accessories



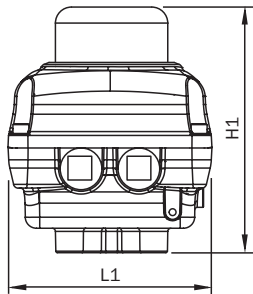
E-Actuator Type E1

DN	L1	H1	Weight [kg]
25 - 50	121	132	1.50



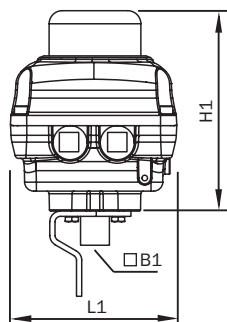
Set E-Actuator Type E1 for Butterfly Valve

DN	L1	H1	B1	Weight [kg]
25	121	132	9.5	1.85
32	121	132	9.5	1.86
40	121	132	9.5	1.88
50	121	132	9.5	1.91



E-Actuator Type E2

DN	L1	H1	Weight [kg]
65 - 100	127	153	2.87



Set E-Actuator Type E2 for Butterfly Valve

DN	L1	H1	B1	Weight [kg]
65	127	153	9.5	3.33
80	127	153	9.5	3.40
100	127	153	9.5	3.45

Actuators and Accessories

E-Actuator Type E1

24V			230V	
DN	Price/EUR	Article No.	Price/EUR	Article No.
25 - 50	397.00	39124	397.00	39123

Set E-Actuator Type E1 for Butterfly Valve

24V			230V	
DN	Price/EUR	Article No.	Price/EUR	Article No.
25	511.20	391205101	511.20	391205111
32	516.30	391206101	516.30	391206111
40	521.30	391207101	521.30	391207111
50	523.00	391208101	523.00	391208111

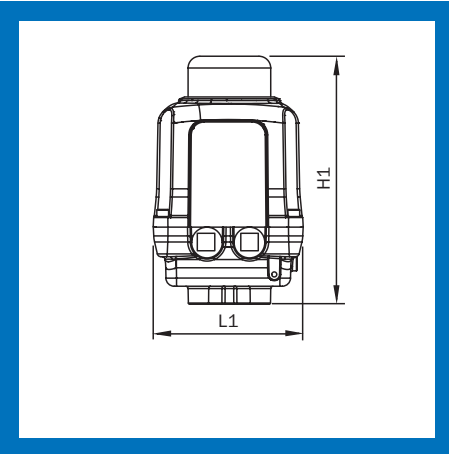
E-Actuator Type E2

24V			230V	
DN	Price/EUR	Article No.	Price/EUR	Article No.
65 - 100	581.00	39126	581.00	39125

Set E-Actuator Type E2 for Butterfly Valve

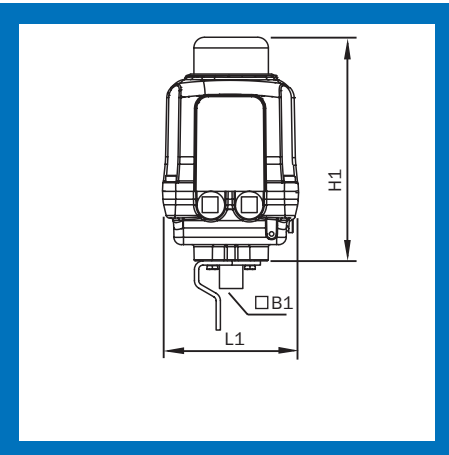
24V			230V	
DN	Price/EUR	Article No.	Price/EUR	Article No.
65	740.60	391209101	740.60	391209111
80	748.00	391210101	748.00	391210111
100	755.50	391212101	755.50	391212111

Actuators and Accessories



E-actuator Type E2-PCU (Position Controller)

DN	L1	H1	Weight [kg]
65 - 100	127	210	4.09



Set E-Actuator Type E2-PCU for Butterfly Valve (Position Controller)

DN	L1	H1	B1	Weight [kg]
65	127	210	9.5	4.55
80	127	210	9.5	4.61
100	127	210	9.5	4.67

Actuators and Accessories

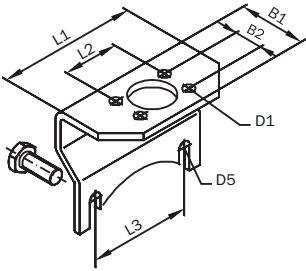
E-actuator Type E2-PCU (Position Controller)

24V			230V	
DN	Price/EUR	Article No.	Price/EUR	Article No.
65 - 100	1582.00	39128	1582.00	39127

Set E-Actuator Type E2-PCU for Butterfly Valve (Position Controller)

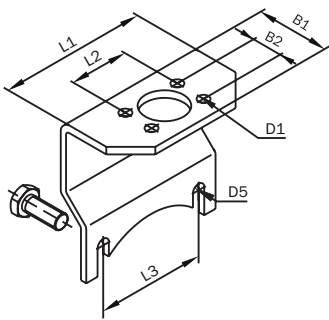
24V			230V	
DN	Price/EUR	Article No.	Price/EUR	Article No.
65	1789.40	391209121	1789.40	391209131
80	1807.30	391210121	1807.30	391210131
100	1889.50	391212121	1889.50	391212131

Actuators and Accessories



Retaining bracket

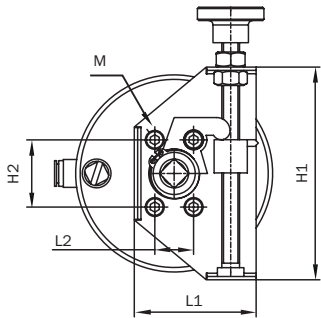
DN DIN	DN Inch	D1	D5	B1	B2	L1	L2	L3	Weight [kg]
10 - 20		5.5	6.6	52	17.5	55	30.3	31.1	0.096
25	1"	6	9	52	17.5	78	30.3	51.6	0.201
32		6	9	52	17.5	82	30.3	55.1	0.211
40	1 1/2"	6	9	52	17.5	86	30.3	58.3	0.233
50	2"	6	9	52	17.5	96	30.3	67.5	0.250
65	2 1/2"	6	9	52	17.5	108	30.3	79.5	0.286
80	3"	6	9	59	17.5	118	30.3	90.2	0.335
100	4"	6	9	59	17.5	132	30.3	104.3	0.380
125		9	11	60	25.4	120	44	90	0.342
150 - 200		9	11	60	25.4	135	44	105	0.408



Retaining Plate raised

DN DIN	DN Inch	D1	D5	B1	B2	L1	L2	L3	Weight [kg]
25	1"	6	9	52	17.5	78	30.3	51.6	0.242
32		6	9	52	17.5	82	30.3	55.1	0.254
40	1 1/2"	6	9	52	17.5	86	30.3	58.3	0.265
50	2"	6	9	52	17.5	96	30.3	67.5	0.289
65	2 1/2"	6	9	52	17.5	108	30.3	79.5	0.329
80	3"	6	9	59	17.5	118	30.3	90.2	0.393
100	4"	6	9	59	17.5	132	30.3	104.3	0.438
125		9.5	11	64	25.4	120	44	90	0.464
150 - 200		9.5	11	64	25.4	135	44	105	0.529

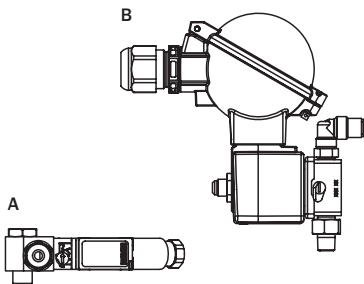
Raised retaining plate for stroke limitation and T-butterfly valve with switching combination



Stroke Limitation

DN DIN	DN Inch	D1	L1	L2	H1	H2	Weight [kg]
25 - 100	1" - 4"	M5	55	17.6	96	30.3	0.25
125 - 200		M8	75	25.4	118	44	0.70

Raised retaining plate is not included in the scope of delivery



Solenoid Valve

DN DIN	A
10 - 200	G 1/8"

A - Standard B - ATEX

Actuators and Accessories

Retaining bracket

1.4307 (304L)			
DN DIN	DN Inch	Price/EUR	Article No.
10 - 20		21.50	3912 040 01
25	1"	19.94	3912 050 01
32		19.94	3912 060 01
40	1 1/2"	19.94	3912 070 01
50	2"	19.94	3912 080 01
65	2 1/2"	19.94	3912 090 01
80	3"	25.31	3912 100 01
100	4"	25.31	3912 120 01
125		50.11	3912 130 01
150 - 200		53.44	3912 150 01

Retaining Plate raised

1.4307 (304L)			
DN DIN	DN Inch	Price/EUR	Article No.
25	1"	49.85	3919 050 01
32		49.85	3919 060 01
40	1 1/2"	49.85	3919 070 01
50	2"	49.85	3919 080 01
65	2 1/2"	49.85	3919 090 01
80	3"	63.30	3919 100 01
100	4"	63.30	3919 120 01
125		125.30	3919 130 01
150 - 200		133.60	3919 150 01

Stroke Limitation

Open position adjustable 1.4307 (304L)				Closed position adjustable 1.4307 (304L)	
DN DIN	DN Inch	Price/EUR	Article No.	Price/EUR	Article No.
25 - 100	1" - 4"	195.25	3950 120 01	195.25	3962 120 01
125 - 200		396.10	3950 200 01	396.10	3962 200 01

Stroke Limitation

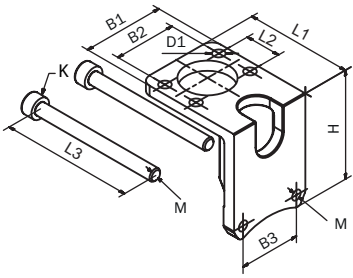
The setting is performed using a handwheel and with the aid of a scale.
Important!
 Open position adjustable: The adjustment may not be actuated unless the valve is closed!
 Closed position adjustable: The adjustment may not be actuated unless the valve is open!
 A locknut is used to secure against inadvertent adjustment. The stroke limitation can be set up on actuators of butterfly valves DN25 - DN200.
 A raised retaining plate is required for the assembly of the stroke limitation.

Solenoid Valve

Standard			ATEX	
DN DIN	Price/EUR	Article No.	Price/EUR	Article No.
10 - 200	175.80	3900 45	379.50	3900 47

24V / DC
 Connection: G 1/8"
 Hose diameter: D = 6 mm
 Manual override type: 3/2-way

Actuators and Accessories

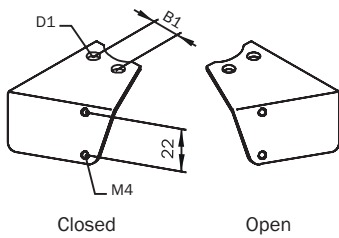


Screws are not included in the scope of delivery.

Retaining Plate for Compact Intermediate Flange Butterfly Valve

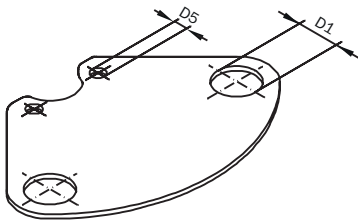
DN DIN	DN Inch	D1	M	L1	L2	H	B1	B2	B3	$\frac{L}{3}$	K	Weight [kg]
10 - 20		6	M5	52.5	17.5	53	40	30.3	27.6	65	Hex.	0.13
25 - 32	1"	6	M6	52.5	17.5	50.5	40	30.3	19	65	Cyl.	0.12
40	1 1/2"	6	M6	52.5	17.5	53	40	30.3	22	65	Cyl.	0.13
50 - 65	2" - 2 1/2"	6	M6	52.5	17.5	53	40	30.3	30	65	Cyl.	0.14
80 - 100	3" - 4"	6	M8	62	17.5	53	40	30.3	30	85	Hex.	0.16
125 - 150		8.5	M10	90.5	25.4	70	60	44	40	130	Hex.	0.41

Retaining Plate for mechanical Limit Switch



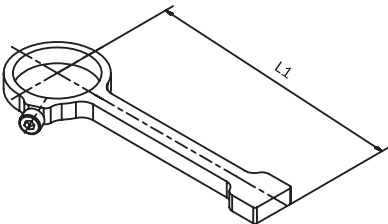
DN DIN	DN Inch	D1	B1
25 - 100	1" - 4"	5.5	17.6
125 - 200		9	25.4

Retaining Plate for Proximity Initiator



DN DIN	DN Inch	D1	D5	Weight [kg]
25 - 100	1" - 4"	12.3	6	0.11
125 - 200		12.3	9	0.16
25 - 100	1" - 4"	18.3	6	0.11
125 - 200		18.3	9	0.16

Signal Contact Arm



DN DIN	DN Inch	L1	Weight [kg]
25 - 100	1" - 4"	72	0.03
125 - 200		92	0.04

Actuators and Accessories

Retaining Plate for Compact Intermediate Flange Butterfly Valve

1.4301 (304)			
DN DIN	DN Inch	Price/EUR	Article No.
10 - 20		23.65	325 500 010 0510
25 - 32	1"	21.95	325 500 025 0510
40	1 1/2"	21.95	325 500 040 0510
50 - 65	2" - 2 1/2"	21.95	325 500 050 0510
80 - 100	3" - 4"	27.85	325 500 080 0510
125 - 150		58.80	325 500 125 0510

Retaining Plate for mechanical Limit Switch

Open/Closed 1.4301 (304)			
DN DIN	DN Inch	Price/EUR	Article No.
25 - 100	1" - 4"	9.66	3912 122 00
125 - 200		12.07	3912 202 00

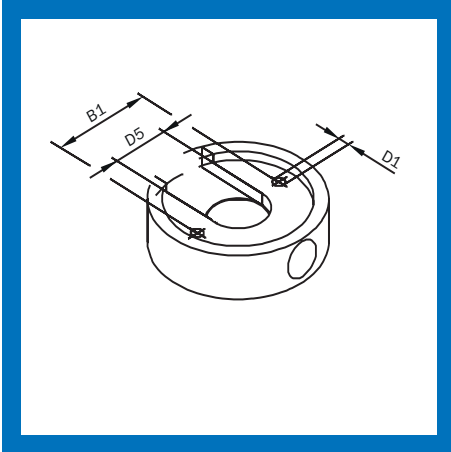
Retaining Plate for Proximity Initiator

1.4301 (304)			
DN DIN	DN Inch	Price/EUR	Article No.
25 - 100	1" - 4"	5.27	3912 123 01
125 - 200		8.74	3912 203 01
25 - 100	1" - 4"	5.27	3912 123 00
125 - 200		8.74	3912 203 00

Signal Contact Arm

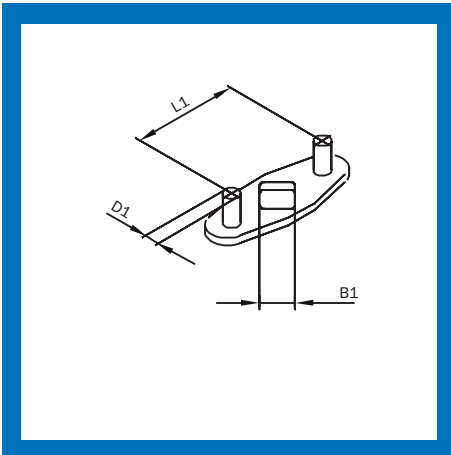
1.4301 (304)			
DN DIN	DN Inch	Price/EUR	Article No.
25 - 100	1" - 4"	3.04	3912 124 00
125 - 200		4.96	3912 204 00

Actuators and Accessories



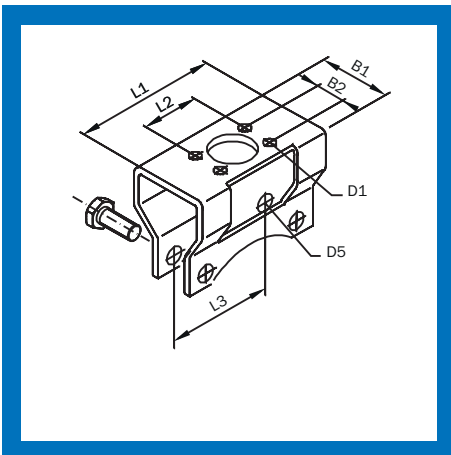
Switching Cam for reinforced Retaining Bracket

DN DIN	DN Inch	D1	D5	B1	Weight [kg]
25 - 100	1" - 4"	4	55	35	0.04
125 - 200		4	62	42	0.05



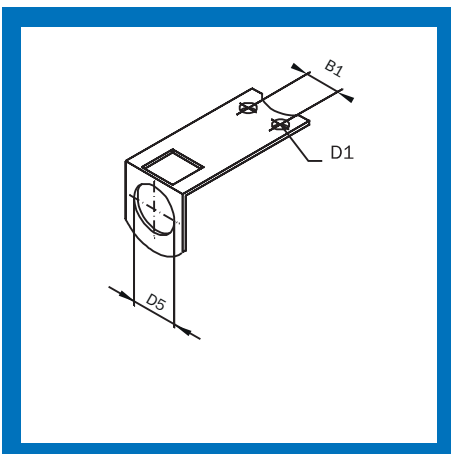
Position Indicator for reinforced Retaining Bracket

DN DIN	DN Inch	D1	B1	L1	Weight [kg]
25 - 100	1" - 4"	4	9.5	35	0.01
125 - 200		4	14	42	0.02



Retaining Plate, reinforced

DN DIN	DN Inch	D1	D5	B1	B2	L1	L2	L3	Weight [kg]
25	1"	6	9	60	17.6	79.5	30.3	51.5	0.3
32		6	9	60	17.6	83	30.3	55	0.3
40	1 1/2"	6	9	60	17.6	86	30.3	58	0.3
50	2"	6	9	60	17.6	95.5	30.3	67.5	0.3
65	2 1/2"	6	9	60	17.6	107.5	30.3	79.5	0.4
80	3"	6	9	72	17.6	118	30.3	90	0.5
100	4"	6	9	72	17.6	132	30.3	104	0.6
125		9	11	72	25.4	118	44	90	0.6
150		9	11	72	25.4	132	44	105	0.6
200		9	11	72	25.4	132	44	105	0.6



Retaining Plate for Inductive Sensor for reinforced Retaining Bracket

DN DIN	DN Inch	D1	D5	B1	Weight [kg]
25 - 100	1" - 4"	6	12.3	17.6	0.032
125 - 200		9	12.3	25.4	0.050
25 - 100	1" - 4"	6	18.3	17.6	0.028
125 - 200		9	18.3	25.4	0.041

Actuators and Accessories

Switching Cam for reinforced Retaining Bracket

1.4301 (304)			
DN DIN	DN Inch	Price/EUR	Article No.
25 - 100	1" - 4"	6.95	3914 123 00
125 - 200		21.60	3914 203 00

Position Indicator for reinforced Retaining Bracket

1.4301 (304)			
DN DIN	DN Inch	Price/EUR	Article No.
25 - 100	1" - 4"	5.95	3914 124 00
125 - 200		13.46	3914 204 00

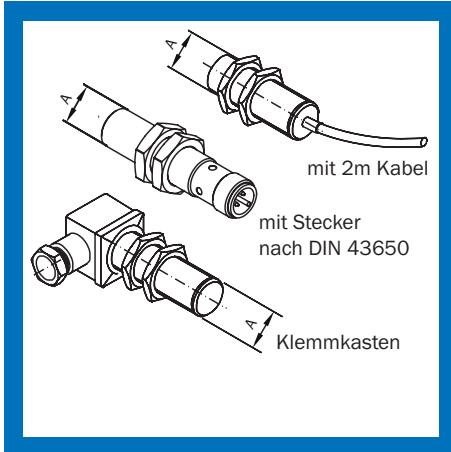
Retaining Plate, reinforced

1.4301 (304)			
DN DIN	DN Inch	Price/EUR	Article No.
25	1"	37.61	3914 050 01
32		37.61	3914 060 01
40	1 1/2"	37.61	3914 070 01
50	2"	37.61	3914 080 01
65	2 1/2"	37.61	3914 090 01
80	3"	45.20	3914 100 01
100	4"	45.20	3914 120 01
125		87.69	3914 130 01
150		93.49	3914 150 01
200		93.49	3914 200 01

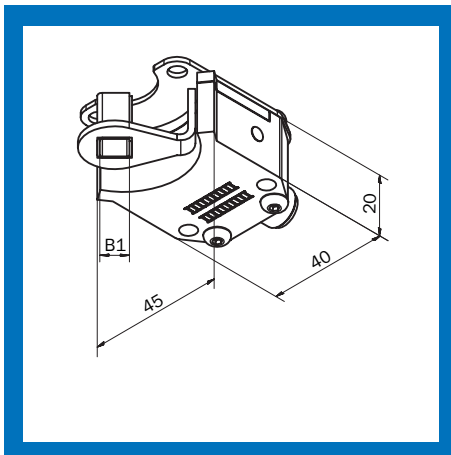
Retaining Plate for Inductive Sensor for reinforced Retaining Bracket

1.4301 (304)			
DN DIN	DN Inch	Price/EUR	Article No.
25 - 100	1" - 4"	4.19	3914 122 01
125 - 200		7.08	3914 202 01
25 - 100	1" - 4"	4.19	3914 122 00
125 - 200		7.08	3914 202 00

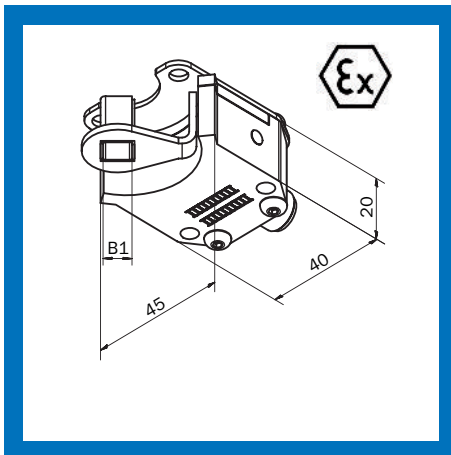
Inductive Sensor and Mechanical Limit Switch



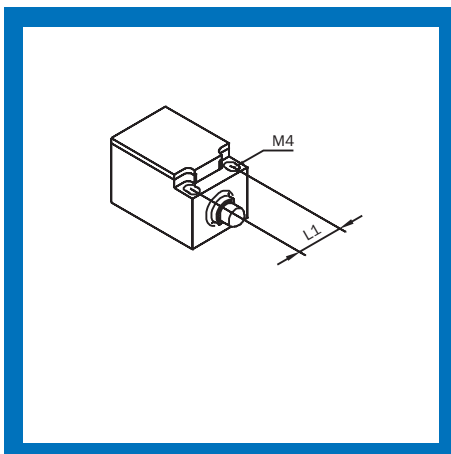
Inductive Sensor			
DN DIN	DN Inch	A	Weight [kg]
10 - 200	1" - 4"	M 12 x 1	0.12
10 - 200	1" - 4"	M 18 x 1	0.15



Inductive Double Sensor		
DN DIN	B1	Weight [kg]
10	8	
15 - 100	9.5	
125 - 200	14	0.02
10 - 200		



Double Inductive Sensor ATEX		
DN DIN	B1	Weight [kg]
10	8	
15 - 100	9.5	
125 - 200	14	0.02
10 - 200		



Mechanical Limit Switch			
DN DIN	DN Inch	L1	Weight [kg]
25 - 100	1" - 4"	22	0.06

Inductive Sensor and Mechanical Limit Switch

Inductive Sensor

		with 2 m cable		with 2 m cable ATEX classification: 1GD		Terminal Box with Plug Connection		with plug		with plug ATEX classification: 1GD	
DN DIN	DN Inch	Price/EUR	Article No.	Price/EUR	Article No.	Price/EUR	Article No.	Price/EUR	Article No.	Price/EUR	Article No.
10 - 200	1" - 4"	51.90	3930 000 02	149.20	3930 005 02	83.80	3930 001 02	95.40	3900 90	160.68	3900 18
10 - 200	1" - 4"	54.90	3930 000 01			88.10	3930 001 01				

Inductive sensor:	with 2 m cable	Terminal Box with Plug Connection	with plug
Protection type:	IP 67	IP 65	IP 67
Supply voltage:	10 - 36 V	10 - 36 V	10 - 30 V
Output:	+	+	+
Circuit diagram			
Connection:	PNP	PNP	PNP
max. switching current:	200 mA	200 mA	200 mA

Inductive sensor ATEX:	with 2 m cable	with plug
Protection type:	IP 67	IP 67
ATEX classification:	1GD	1GD
Nominal voltage:	8.2 VDC	8.2 VDC
Output:	2-wire Namur	2-wire Namur
Ambient temperature:	-25 - 70 °C	-25 - 70 °C
Connection:	2m cable	V1 device plug

Inductive Double Sensor

complete with retaining plate and screws			Sensor (replacement part)	
DN DIN	Price/EUR	Article No.	Price/EUR	Article No.
10	175.50	3930 014 00		
15 - 100	199.35	3930 124 00		
125 - 200	305.91	3930 204 00		
10 - 200			144.50	3930 124 01

Protection type:	IP 67
Supply voltage:	10 - 55 V DC
Output:	Closer
Connection:	PNP
max. switching current:	200 mA
Ambient temperature:	-25 to 75 °C
Connection:	V1 - Device plug

Double Inductive Sensor ATEX

complete with retaining plate and screws			Sensor (replacement part)	
DN DIN	Price/EUR	Article No.	Price/EUR	Article No.
10	193.05	3930 015 00		
15 - 100	213.80	3930 125 00		
125 - 200	336.50	3930 205 00		
10 - 200			158.95	3930 125 01

Protection type:	IP 67 ATEX
ATEX classification:	2G; 3G; 3D
Nominal voltage:	8 V DC
Switching element function:	DC dual opener
Ambient temperature:	-25 to 100 °C
Connection:	V1 - Device plug
Ambient temperature:	-25 to 75 °C

Mechanical Limit Switch

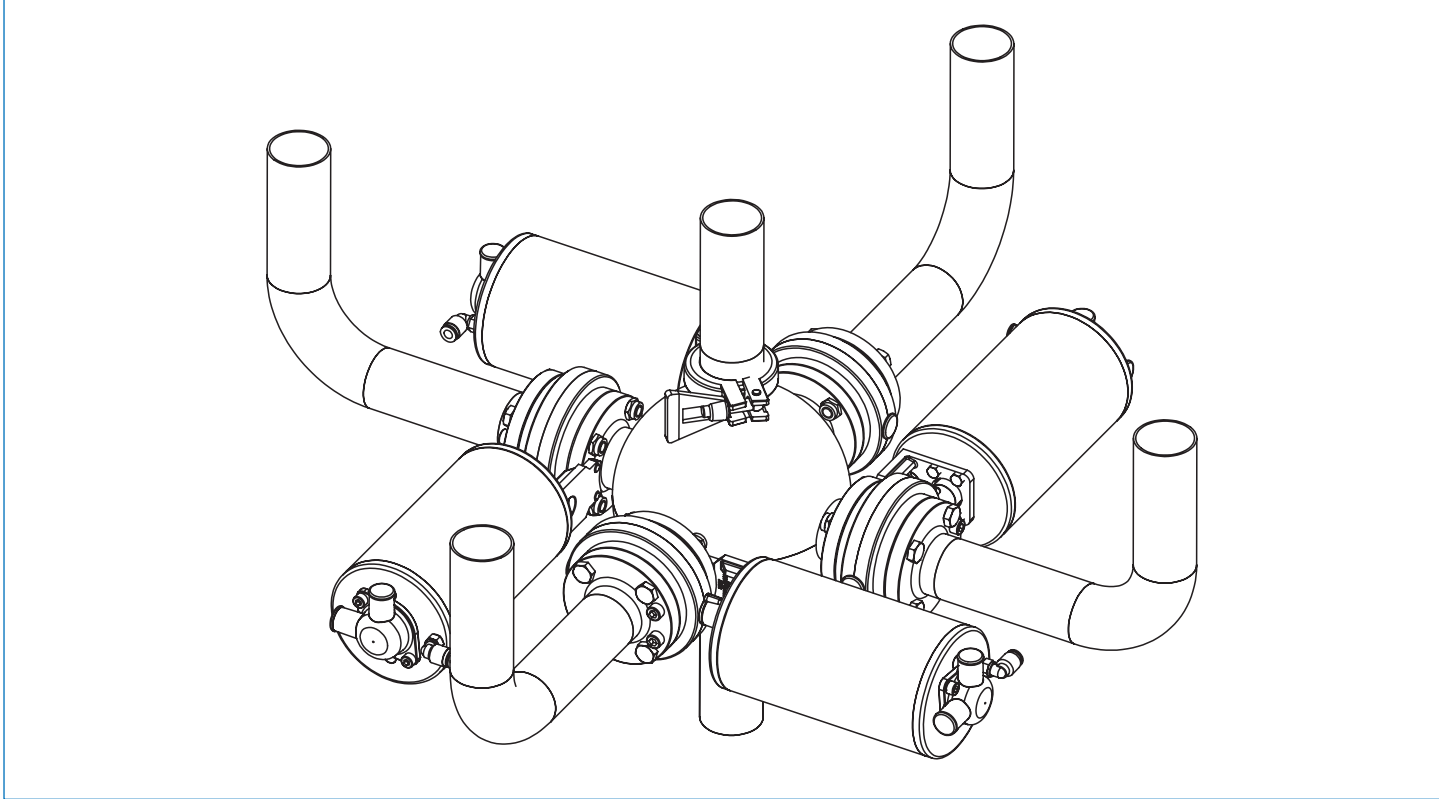
DN DIN	DN Inch	Price/EUR	Article No.
25 - 100	1" - 4"	44.15	3930 002 01

Protection type:	IP65 according to EN 60529
Contact elements:	1 opener / 1 closer Positive-break opener
Nominal isolation voltage Ui:	500 V~25 - 60 Hz
Switching capacity Ie:	2.5 A
Ue:	380 B~
Short-circuit protection:	10 A (slow-blow)

Valve Igel

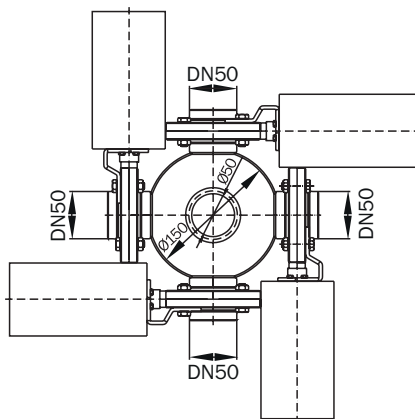
CIP cleaning medium intelligently distributed

- Alternative to complex valve nodes and coupling panels
- Clearly laid-out design
- Easy to service
- Cost effective
- Compact construction, low space requirement
- Maximum nominal width DN65!



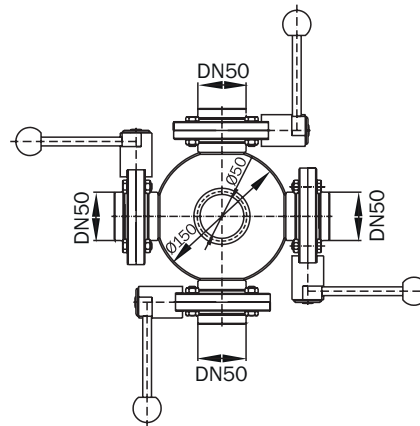
Customer-specific production

Variant A



4 x Butterfly Valve Weld/
Weld with pneum. Actuator

Variant B

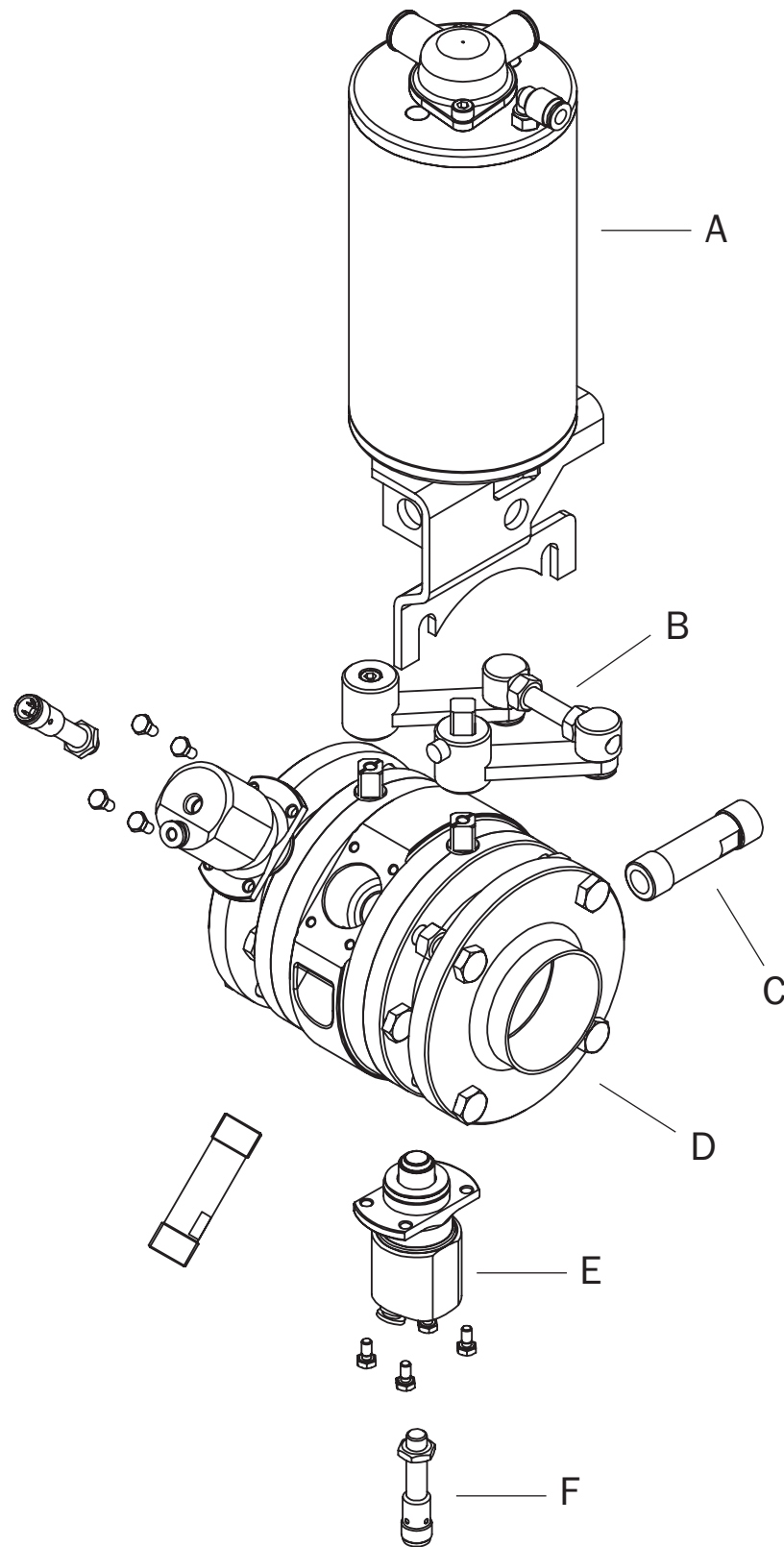


4 x Butterfly Valve Weld/
Weld manually actuated

The AWH-Vent-IGEL is configured specially in accordance with your specifications. Please contact us, we would be happy to make you an offer.

Exploded View Leakage Butterfly Valve and Accessories

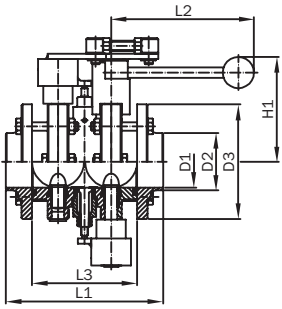
Leakage Butterfly Valve with Pneumatic Actuator and pneumatically actuated auxiliary Valves



A Pneumatic actuator
B Switching combination
C Flushing connection

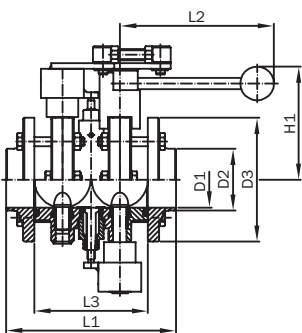
D Valve body
E Auxiliary valve
F Sensor for auxiliary Valve (optional)

Leakage Butterfly Valves and Accessories



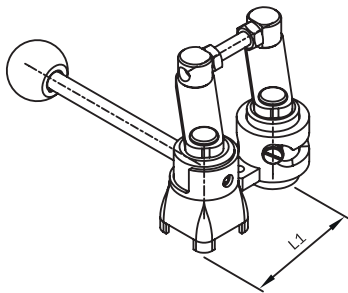
Intermediate Flange Leakage Butterfly Valve DIN manually actuated

DN DIN	L1	L3	L2	H1	D1	D2	D3	Weight [kg]
25	138	98	107	90	26	29	87	4.51
32	138	98	107	92	32	35	92	4.82
40	148	98	137	94	38	41	97	5.11
50	151	101	137	101	50	53	110	6.01
65	167	117	137	110	66	70	127	7.72
80	194	134	167	123	81	85	142	11.20
100	194	134	167	134	100	104	162	13.50



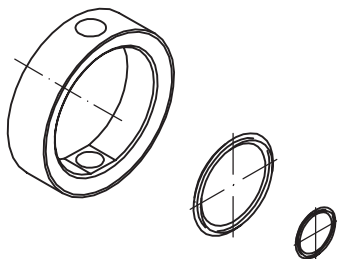
Intermediate Flange Leakage Butterfly Valve Inch manually actuated

DN Inch	L1	L3	L2	H1	D1	D2	D3	Weight [kg]
1"	138	98	107	90	22.2	25.4	87	4.51
1 1/2"	148	98	137	94	34.8	38.1	97	5.11
2"	151	101	137	101	47.6	50.8	110	6.01
2 1/2"	167	117	137	110	60.3	63.5	127	7.72
3"	194	134	167	123	72.9	76.1	142	11.20
4"	194	134	167	134	97.4	101.6	162	13.50



Switching Combination for Leakage Butterfly Valve manually actuated

DN DIN	DN Inch	L1	Weight [kg]
25 - 40	1" - 1 1/2"	48	0.89
50	2"	51	0.89
65	2 1/2"	67	0.91
80 - 100	3" - 4"	58	0.91



Seal Set for Leakage Butterfly Valves manually actuated

DN DIN	DN Inch
25	1"
32	
40	1 1/2"
50	2"
65	2 1/2"
80	3"
100	4"

For technical reasons, the valve disks are included in the delivery with DN25 and DN32.

Leakage Butterfly Valves and Accessories

Intermediate Flange Leakage Butterfly Valve DIN manually actuated

1.4404 (316L)/EPDM			
DN DIN	Price/EUR	Article No.	
25	866.18	340205 012/1	
32	880.69	340206 012/1	
40	887.54	340207 012/1	
50	915.10	340208 012/1	
65	977.73	340209 012/1	
80	1126.89	340210 012/1	
100	1201.63	340212 012/1	

Intermediate Flange Leakage Butterfly Valve Inch manually actuated

1.4404 (316L)/EPDM			
DN Inch	Price/EUR	Article No.	
1"	866.18	340254 012/1	
1 1/2"	887.54	340257 012/1	
2"	915.10	340258 012/1	
2 1/2"	977.73	340259 012/1	
3"	1126.89	340260 012/1	
4"	1201.63	340262 012/1	

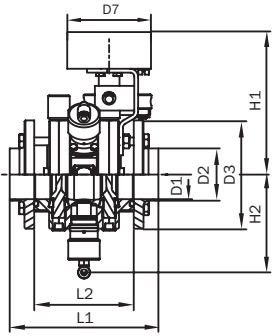
Switching Combination for Leakage Butterfly Valve manually actuated

1.4301 (304)			
DN DIN	DN Inch	Price/EUR	Article No.
25 - 40	1" - 1 1/2"	251.43	3402 07 791
50	2"	253.00	3402 08 791
65	2 1/2"	253.00	3402 09 791
80 - 100	3" - 4"	257.27	3402 12 791

Seal Set for Leakage Butterfly Valves manually actuated

EPDM			
DN DIN	DN Inch	Price/EUR	Article No.
25	1"	87.50	3400 05 091
32		125.35	3400 06 091
40	1 1/2"	27.28	3400 07 091
50	2"	37.06	3400 08 091
65	2 1/2"	44.62	3400 09 091
80	3"	57.66	3400 10 091
100	4"	77.80	3400 12 091

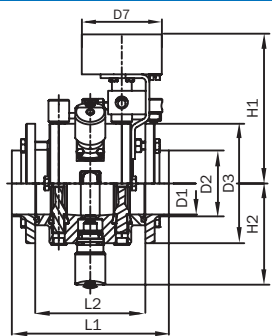
Leakage Butterfly Valves and Accessories



with pneumatically actuated auxiliary valves
without preparation for sensor for auxiliary valve

Intermediate Flange Leakage Butterfly Valve DIN with Pneumatic Actuator VMove®

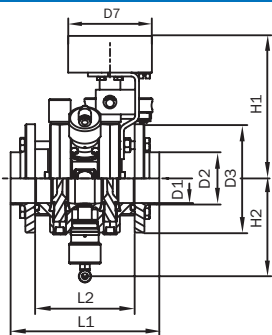
DN DIN	L1	L2	D1	D2	D3	H1	H2	D7	Weight [kg]
25	138	98	26	29	87	253	87.5	89	8.09
32	138	98	32	35	92	255	90	89	8.70
40	148	98	38	41	97	258	93	89	8.89
50	151	101	50	53	110	264	99.5	89	10.02
65	167	117	66	70	127	273	102.5	89	12.53
80	194	134	81	85	142	322	115	104	17.63
100	194	134	100	104	162	332	124.5	104	20.20
125	248	168	125	129	200	363	137.5	129	34.46
150	268	188	150	154	230	378	151	129	43.42



with pneumatically actuated auxiliary valves
with preparation for sensor for auxiliary valve

Intermediate Flange Leakage Butterfly Valve DIN with Pneumatic Actuator VMove®

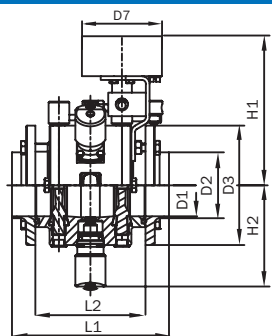
DN DIN	L1	L2	D1	D2	D3	H1	H2	D7	Weight [kg]
25	138	98	26	29	87	253	87.5	89	8.26
32	138	98	32	35	92	255	90	89	8.84
40	148	98	38	41	97	258	93	89	9.03
50	151	101	50	53	110	264	99.5	89	10.17
65	167	117	66	70	127	273	102.5	89	12.68
80	194	134	81	85	142	322	115	104	17.76
100	194	134	100	104	162	332	124.5	104	20.34
125	248	168	125	129	200	363	137.5	129	34.60
150	268	188	150	154	230	378	151	129	43.56



with pneumatically actuated auxiliary valves
without preparation for sensor for auxiliary valve

Intermediate Flange Leakage Butterfly Valve Inch with Pneumatic Actuator VMove®

DN Inch	L1	L2	D1	D2	D3	H1	H2	D7	Weight [kg]
1"	142	102	22.1	25.4	87	253	85.5	89	8.17
1 1/2"	149	99	34.8	38.1	97	257.5	90	89	8.95
2"	151	101	47.5	50.8	110	264	98	89	10.11
2 1/2"	167	117	60.2	63.5	127	273	104.5	89	12.97
3"	196	136	72.1	76.1	142	323	110.5	104	18.64
4"	194	134	97.4	101.6	162	334.5	123	104	20.42



with pneumatically actuated auxiliary valves
with preparation for sensor for auxiliary valve

Intermediate Flange Leakage Butterfly Valve Inch with Pneumatic Actuator VMove®

DN Inch	L1	L2	D1	D2	D3	H1	H2	D7	Weight [kg]
1"	142	102	22.1	25.4	87	253	85.5	89	8.31
1 1/2"	149	99	34.8	38.1	97	257.5	90	89	9.09
2"	151	101	47.5	50.8	110	264	98	89	10.26
2 1/2"	167	117	60.2	63.5	127	273	104.5	89	13.14
3"	196	136	72.1	76.1	142	323	110.5	104	18.77
4"	194	134	97.4	101.6	162	334.5	123	104	20.56

Leakage Butterfly Valves and Accessories

Intermediate Flange Leakage Butterfly Valve DIN with Pneumatic Actuator VMove®

1.4404 (316L)/EPDM			1.4404 (316L)/FKM		
DN DIN	Price/EUR	Article No.	Price/EUR	Article No.	
25	1,122.00	3510 2201 025 30	1,130.00	3510 2202 025 30	
32	1,136.00	3510 2201 032 30	1,147.00	3510 2202 032 30	
40	1,143.00	3510 2201 040 30	1,159.00	3510 2202 040 30	
50	1,171.00	3510 2201 050 30	1,192.00	3510 2202 050 30	
65	1,245.00	3510 2201 065 30	1,269.00	3510 2202 065 30	
80	1,395.00	3510 2201 080 30	1,432.00	3510 2202 080 30	
100	1,469.00	3510 2201 100 30	1,510.00	3510 2202 100 30	
125	4,175.00	3510 2201 125 30	4,500.00	3510 2202 125 30	
150	4,705.00	3510 2201 150 30	5,100.00	3510 2202 150 30	
					Air connection auxiliary valve Ø 6x1

Intermediate Flange Leakage Butterfly Valve DIN with Pneumatic Actuator VMove®

1.4404 (316L)/EPDM			1.4404 (316L)/FKM		
DN DIN	Price/EUR	Article No.	Price/EUR	Article No.	
25	1,162.00	3510 2211 025 30	1,170.00	3510 2212 025 30	
32	1,176.00	3510 2211 032 30	1,187.00	3510 2212 032 30	
40	1,183.00	3510 2211 040 30	1,199.00	3510 2212 040 30	
50	1,211.00	3510 2211 050 30	1,232.00	3510 2212 050 30	
65	1,285.00	3510 2211 065 30	1,309.00	3510 2212 065 30	
80	1,435.00	3510 2211 080 30	1,472.00	3510 2212 080 30	
100	1,509.00	3510 2211 100 30	1,550.00	3510 2212 100 30	
125	4,260.00	3510 2211 125 30	4,585.00	3510 2212 125 30	
150	4,790.00	3510 2211 150 30	5,185.00	3510 2212 150 30	
					Air connection auxiliary valve Ø 4x1

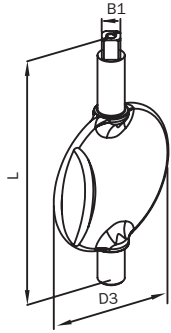
Intermediate Flange Leakage Butterfly Valve Inch with Pneumatic Actuator VMove®

1.4404 (316L)/EPDM			1.4404 (316L)/FKM		
DN Inch	Price/EUR	Article No.	Price/EUR	Article No.	
1"	1,150.00	3510 2201 054 30	1,158.00	3510 2202 054 30	
1 1/2"	1,180.00	3510 2201 057 30	1,196.00	3510 2202 057 30	
2"	1,200.00	3510 2201 058 30	1,221.00	3510 2202 058 30	
2 1/2"	1,260.00	3510 2201 059 30	1,284.00	3510 2202 059 30	
3"	1,570.00	3510 2201 060 30	1,607.00	3510 2202 060 30	
4"	1,790.00	3510 2201 062 30	1,830.00	3510 2202 062 30	
					Air connection auxiliary valve Ø 6x1

Intermediate Flange Leakage Butterfly Valve Inch with Pneumatic Actuator VMove®

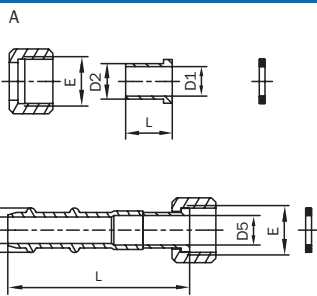
1.4404 (316L)/EPDM			1.4404 (316L)/FKM		
DN Inch	Price/EUR	Article No.	Price/EUR	Article No.	
1"	1,190.00	3510 2211 054 30	1,198.00	3510 2212 054 30	
1 1/2"	1,220.00	3510 2211 05730	1,236.00	3510 2212 057 30	
2"	1,240.00	3510 2211 058 30	1,261.00	3510 2212 058 30	
2 1/2"	1,300.00	3510 2211 059 30	1,324.00	3510 2212 059 30	
3"	1,610.00	3510 2211 060 30	1,647.00	3510 2212 060 30	
4"	1,830.00	3510 2211 062 30	1,871.00	3510 2212 062 30	
					Air connection auxiliary valve Ø 4x1

Leakage Butterfly Valves and Accessories



Valve Disk for leakage Butterfly Valve with Pneumatic Actuator

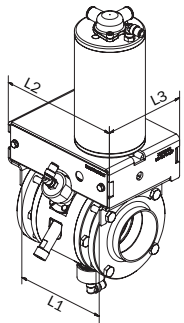
DN DIN	DN Inch	B1	D3	L	Weight [kg]
80		9.5	81	144	0.37
	3"	9.5	72	144	0.30
100		9.5	100	164	0.54
	4"	9.5	97.4	165	0.48



Connection Screw Fitting

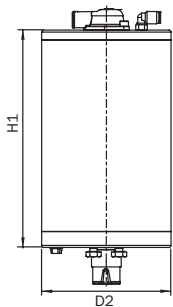
DN DIN	DN Inch	D1	D2	D5	E	L	Weight [kg]
25 - 150	1" - 4"	10	12		G 3/8"	16	0.023
25 - 150	1" - 4"	9	15	10	G 3/8"	62.5	0.045

A - Weld-on Screw Connection
B - Screw Connection with Hose Nozzle



Protective Cover for Leakage Butterfly Valve with Pneumatic Actuator

DN DIN	DN Inch	L1	L2	L3	Weight [kg]
25		119	156	100.5	0.98
	1"	122	159	100.5	0.99
32		118	155	104.5	1.02
40	1 1/2"	119	156	103	1.00
50	2"	121	163	115	1.14
65	2 1/2"	137	179	124.5	1.30
80		166	172	114	1.18
	3"	168	174	114	1.25
100	4"	166	172	124	1.26



Drive VMove® 2 70° Air/Spring

DN DIN	D2	H1	Weight [kg]
125 - 200	129	217	10.0

Leakage Butterfly Valves and Accessories

Valve Disk for leakage Butterfly Valve with Pneumatic Actuator

1.4404 (316L)			
DN DIN	DN Inch	Price/EUR	Article No.
80	3"	51.04	3510000800230
		54.19	3510000600230
100	4"	73.34	3510001000230
		90.28	3510000620230

Connection Screw Fitting

Screwed Connection 1.4404 (316L)/EPDM				Screw Connection, Hose Nozzle 1.4404 (316L)/EPDM	
DN DIN	DN Inch	Price/EUR	Article No.	Price/EUR	Article No.
25 - 150	1" - 4"	11.01	3402 12 002		
25 - 150	1" - 4"			46.40	3510 15 002

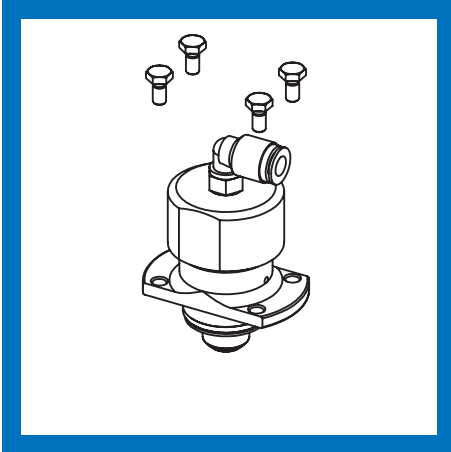
Protective Cover for Leakage Butterfly Valve with Pneumatic Actuator

1.4301 (304)			
DN DIN	DN Inch	Price/EUR	Article No.
25	1"	98.55	3510 0002 560 10
		103.41	3510 0005 460 10
32	1 1/2"	113.15	3510 0003 260 10
40		118.60	3510 0004 060 10
50	2"	123.85	3510 0005 060 10
65	2 1/2"	128.65	3510 0006 560 10
80		133.55	3510 0008 060 10
	3"	133.55	3510 0006 060 10
100	4"	138.05	3510 0010 060 10

Drive VMove® 2 70° Air/Spring

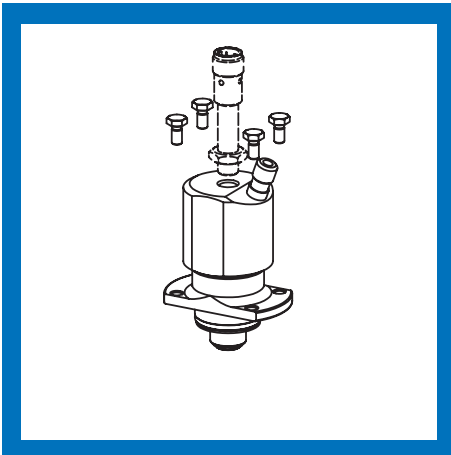
1.4301 (304)		
DN DIN	Price/EUR	Article No.
125 - 200	646.00	395920000

Leakage Butterfly Valves and Accessories



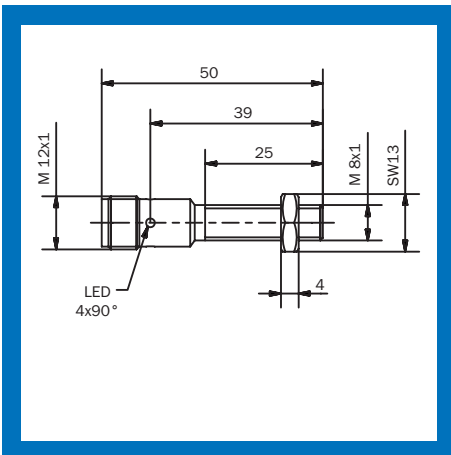
Pneumatic Auxiliary Valve without Preparation for Sensor

DN DIN	DN Inch	Weight [kg]
25 - 150	1" - 4"	0.26



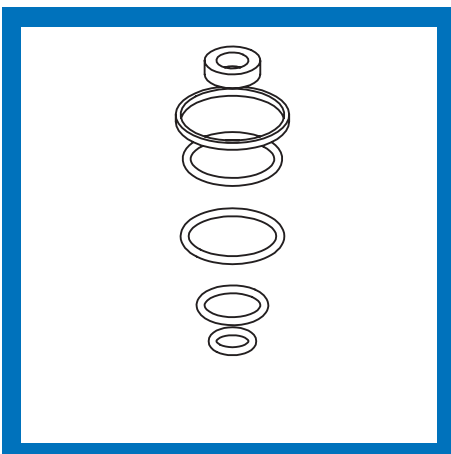
Pneumatic Auxiliary Valve with Preparation for Sensor

DN DIN	DN Inch	Weight [kg]
25 - 150	1" - 4"	0.35
Single cap (with air connection)		



Sensor for pneumatic Auxiliary Valve

DN DIN	DN Inch	Weight [kg]
25 - 150	1" - 4"	0.02



Service Kit for pneumatic Auxiliary Valve

DN DIN	DN Inch	Weight [kg]
25 - 150	1" - 4"	0.001

Leakage Butterfly Valves and Accessories

Pneumatic Auxiliary Valve without Preparation for Sensor

1.4404 (316L)/EPDM				1.4404 (316L)/FKM	
DN DIN	DN Inch	Price/EUR	Article No.	Price/EUR	Article No.
25 - 150	1" - 4"	133.10	3510 0000 020 30	134.25	3510 0000 022 30

Pneumatic Auxiliary Valve with Preparation for Sensor

1.4404 (316L)/EPDM				1.4404 (316L)/FKM		Single cap (with air connection)	
DN DIN	DN Inch	Price/EUR	Article No.	Price/EUR	Article No.	Price/EUR	Article No.
25 - 150	1" - 4"	156.75	3510 0000 010 30	158.25	3510 0000 012 30		
						71.55	3510 0000 040 30

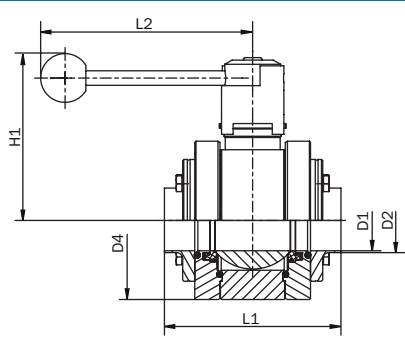
Sensor for pneumatic Auxiliary Valve

1.4301 (304)			
DN DIN	DN Inch	Price/EUR	Article No.
25 - 150	1" - 4"	69.80	390135

Service Kit for pneumatic Auxiliary Valve

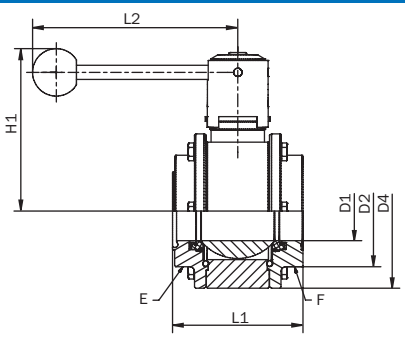
EPDM				FKM	
DN DIN	DN Inch	Price/EUR	Article No.	Price/EUR	Article No.
25 - 150	1" - 4"	22.05	3510 0000 030 00	23.40	3510 000 0032 00

Ball Valves and Accessories



Intermediate Flange Ball Valve DIN

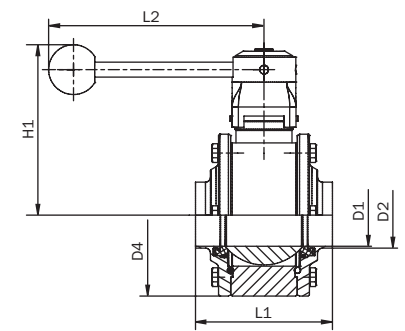
DN DIN	L1	L2	H1	D1	D2	D4	Weight [kg]
40	136	140.5	129	38	41	112	6.71
50	145	173	137	50	53	130	9.69
65	165	173	157	66	70	155	14.97
80	180	217	179	81	85	175	21.11
100	209	217	197	100	104	210	33.84



Ball Valve Collar/Groove DIN 11864-2

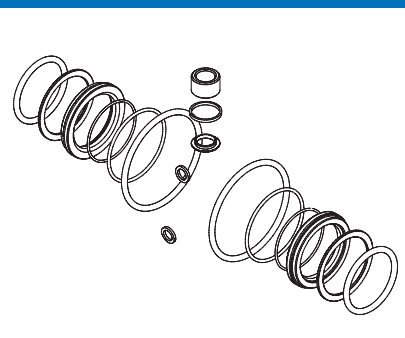
DN DIN	L1	L2	H1	D1	D2	D4	Weight [kg]
40	100	140.5	129	38	82	112	5.67
50	110	173	137	50	94	130	8.16
65	130	173	157	66	113	155	12.58
80	160	217	179	81	133	175	19.14
100	200	217	197	100	159	210	31.99

E - Collar Connection Flange
F - Groove Flange



Ball Valve Weld/Weld DIN

DN DIN	L1	L2	H1	D1	D2	D4	Weight [kg]
40	100	140.5	129	38	41	112	4.85
50	110	173	137	50	53	130	7.13
65	130	173	157	66	70	155	11.34
80	160	217	179	81	85	175	17.02
100	200	217	197	100	104	210	27.94



Seal Set for DIN Ball Valves

DN DIN
40
50
65
80
100

Please contact us regarding selection of the suitable seal set.

Ball Valves and Accessories

Intermediate Flange Ball Valve DIN

manually operated 1.4404 (316L)/1.4409 PTFE/EPDM			VMove® Air/Spring 1.4404 (316L)/1.4409 PTFE/EPDM		VMove® Air/Air 1.4404 (316L)/1.4409 PTFE/EPDM	
DN DIN	Price/EUR	Article No.	Price/EUR	Article No.	Price/EUR	Article No.
40	560.00	4013 1101 040 30	810.00	4013 2101 040 30	797.00	4013 3101 040 30
50	620.00	4013 1101 050 30	870.00	4013 2101 050 30	857.00	4013 3101 050 30
65	840.00	4013 1101 065 30	1090.00	4013 2101 065 30	1077.00	4013 3101 065 30
80	1270.00	4013 1101 080 30	1817.00	4013 2101 080 30	1757.00	4013 3101 080 30
100	1950.00	4013 1101 100 30	2497.00	4013 2101 100 30	2437.00	4013 3101 100 30

Ball Valve Collar/Groove DIN 11864-2

manually operated 1.4404 (316L)/1.4409 PTFE/EPDM			VMove® Air/Spring 1.4404 (316L)/1.4409 PTFE/EPDM		VMove® Air/Air 1.4404 (316L)/1.4409 PTFE/EPDM	
DN DIN	Price/EUR	Article No.	Price/EUR	Article No.	Price/EUR	Article No.
40	490.00	4013 1601 040 30	740.00	4013 2601 040 30	727.00	4013 3601 040 30
50	560.00	4013 1601 050 30	810.00	4013 2601 050 30	797.00	4013 3601 050 30
65	770.00	4013 1601 065 30	1020.00	4013 2601 065 30	1007.00	4013 3601 065 30
80	1080.00	4013 1601 080 30	1580.00	4013 2601 080 30	1567.00	4013 3601 080 30
100	1570.00	4013 1601 100 30	2117.00	4013 2601 100 30	2057.00	4013 3601 100 30

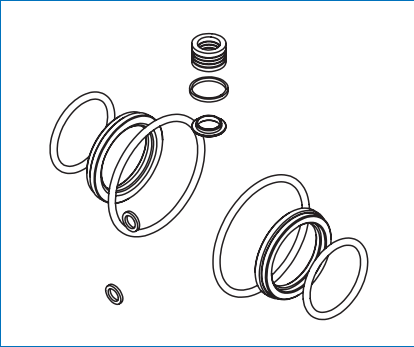
Ball Valve Weld/Weld DIN

manually operated 1.4404 (316L)/1.4409 PTFE/EPDM			VMove® Air/Spring 1.4404 (316L)/1.4409 PTFE/EPDM		VMove® Air/Air 1.4404 (316L)/1.4409 PTFE/EPDM	
DN DIN	Price/EUR	Article No.	Price/EUR	Article No.	Price/EUR	Article No.
40	420.00	4013 1201 040 30	670.00	4013 2201 040 30	657.00	4013 3201 040 30
50	470.00	4013 1201 050 30	720.00	4013 2201 050 30	707.00	4013 3201 050 30
65	660.00	4013 1201 065 30	850.00	4013 2201 065 30	837.00	4013 3201 065 30
80	950.00	4013 1201 080 30	1397.00	4013 2201 080 30	1337.00	4013 3201 080 30
100	1420.00	4013 1201 100 30	1967.00	4013 2201 100 30	1907.00	4013 3201 100 30

Seal Set for DIN Ball Valves

PTFE/EPDM			PTFE/FKM	
DN DIN	Price/EUR	Article No.	Price/EUR	Article No.
40	95.28	4013 0101 040 00	187.49	4013 0102 040 00
50	97.15	4013 0101 050 00	187.98	4013 0102 050 00
65	137.28	4013 0101 065 00	229.40	4013 0102 065 00
80	237.69	4013 0101 080 00	325.44	4013 0102 080 00
100	238.58	4013 0101 100 00	321.44	4013 0102 100 00

Ball Valves and Accessories

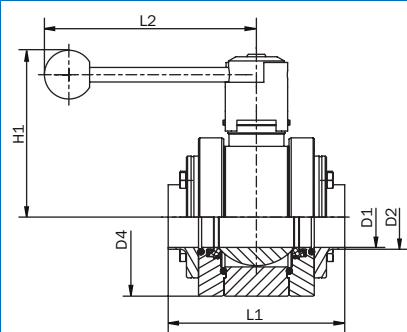


Please contact us regarding selection of the suitable seal set.

Seal Set, e.g. for abrasive and high-viscosity Media for DIN Ball Valves

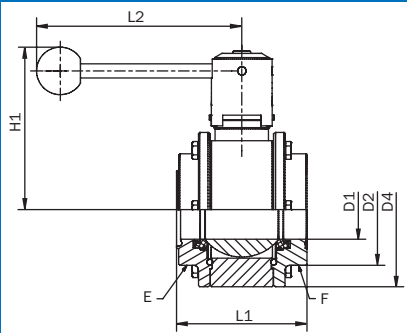
DN DIN

40
50
65
80
100



Intermediate Flange-Ball Valve Inch

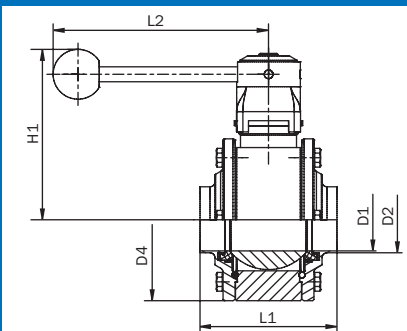
DN Inch	L1	L2	H1	D1	D2	D4	Weight [kg]
1 1/2"	136	140.5	125	34.8	38.1	112	6.86
2"	150	171	137	47.5	50.8	130	10.29
2 1/2"	170	171	149.5	60.2	63.5	155	15.54
3"	188	217	179	72.9	76.2	175	22.81
4"	215	217	197	97.38	101.6	210	35.07



Ball Valve Collar/Groove DIN 11864-2 Inch

DN Inch	L1	L2	H1	D1	D2	D4	Weight [kg]
1 1/2"	91	140.5	125	34.8	79	112	5.43
2"	100	171	137	47.5	92	130	7.83
2 1/2"	122	171	149.5	60.2	107	155	12.37
3"	160	217	179	72.9	125	175	19.68
4"	183	217	197	97.38	157	210	30.82

E - Collar Connection Flange
F - Groove Flange



Ball Valve Weld/Weld Inch

DN Inch	L1	L2	H1	D1	D2	D4	Weight [kg]
1 1/2"	100	140.5	125	34.8	38.1	112	4.92
2"	120	171	137	47.5	50.8	130	7.33
2 1/2"	136	171	149.5	60.2	63.5	155	11.93
3"	168	217	179	72.9	76.2	175	18.37
4"	200	217	197	97.38	101.6	210	28.54

Ball Valves and Accessories

Seal Set, e.g. for abrasive and high-viscosity Media for DIN Ball Valves

PTFE/EPDM			PTFE/FKM	
DN DIN	Price/EUR	Article No.	Price/EUR	Article No.
40	114.35	4013 0201 040 00	224.95	4013 0202 040 00
50	116.60	4013 0201 050 00	225.60	4013 0202 050 00
65	164.75	4013 0201 065 00	275.30	4013 0202 065 00
80	285.25	4013 0201 080 00	390.55	4013 0202 080 00
100	286.30	4013 0201 100 00	385.75	4013 0202 100 00

Intermediate Flange-Ball Valve Inch

manually operated 1.4404 (316L)/1.4409 PTFE/EPDM			VMove® Air/Spring 1.4404 (316L)/1.4409 PTFE/EPDM	
DN Inch	Price/EUR	Article No.	Price/EUR	Article No.
1 1/2"	560.00	4013 1101 057 30	810.00	4013 2101 057 30
2"	620.00	4013 1101 058 30	870.00	4013 2101 058 30
2 1/2"	840.00	4013 1101 059 30	1090.00	4013 2101 059 30
3"	1270.00	4013 1101 060 30	1817.00	4013 2101 060 30
4"	1950.00	4013 1101 062 30	2497.00	4013 2101 062 30

Additional information on the utilization of the ball valves with abrasive and high-viscosity media can be found in the AWH "Valve Technology" brochure.

Ball Valve Collar/Groove DIN 11864-2 Inch

manually operated 1.4404 (316L)/1.4409 PTFE/EPDM			VMove® Air/Spring 1.4404 (316L)/1.4409 PTFE/EPDM	
DN Inch	Price/EUR	Article No.	Price/EUR	Article No.
1 1/2"	490.00	4013 1601 057 30	740.00	4013 2601 057 30
2"	560.00	4013 1601 058 30	810.00	4013 2601 058 30
2 1/2"	770.00	4013 1601 059 30	1020.00	4013 2601 059 30
3"	1080.00	4013 1601 060 30	1580.00	4013 2601 060 30
4"	1570.00	4013 1601 062 30	2117.00	4013 2601 062 30

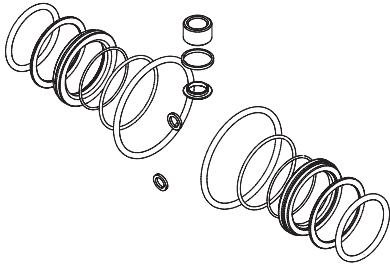
Additional information on the utilization of the ball valves with abrasive and high-viscosity media can be found in the AWH "Valve Technology" brochure.

Ball Valve Weld/Weld Inch

manually operated 1.4404 (316L)/1.4409 PTFE/EPDM			VMove® Air/Spring 1.4404 (316L)/1.4409 PTFE/EPDM	
DN Inch	Price/EUR	Article No.	Price/EUR	Article No.
1 1/2"	420.00	4013 1201 057 30	670.00	4013 2201 057 30
2"	470.00	4013 1201 058 30	720.00	4013 2201 058 30
2 1/2"	660.00	4013 1201 059 30	850.00	4013 2201 059 30
3"	950.00	4013 1201 060 30	1397.00	4013 2201 060 30
4"	1420.00	4013 1201 062 30	1967.00	4013 2201 062 30

Additional information on the utilization of the ball valves with abrasive and high-viscosity media can be found in the AWH "Valve Technology" brochure.

Ball Valves and Accessories

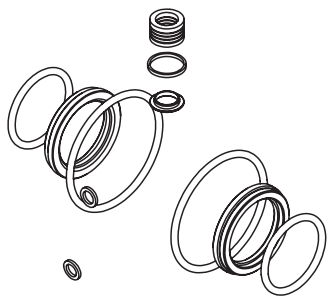


Please contact us regarding selection of the suitable seal set.

Seal Set for Inch Ball Valves

DN Inch

1 1/2"
2"
2 1/2"
3"
4"



Please contact us regarding selection of the suitable seal set.

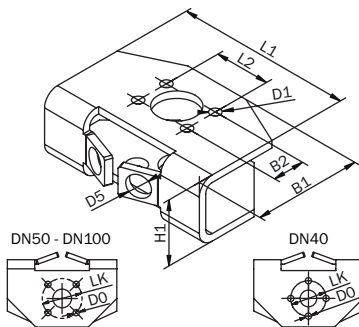
Seal Set, e.g. for abrasive and high-viscosity Media for Inch Ball Valves

DN Inch

1 1/2"
2"
2 1/2"
3"
4"

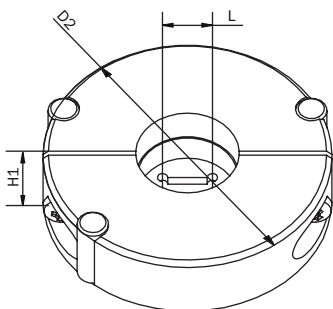
Retaining Plate for Ball valves

DN DIN	DN Inch	L1	L2	B1	B2	H1	D1	D5	RC	D0	Weight [kg]
40	1 1/2"	96	30.3	59	17.5	37.5	6	12.5	31	5.5	0.32
50	2"	96	30.3	59	17.5	35.5	6	12.5	35	5.5	0.31
65	2 1/2"	96	30.3	59	17.5	35.5	6	12.5	35	5.5	0.31
80	3"	135	44	78	25.4	50.5	9	12.5	43	9	0.79
100	4"	135	44	78	25.4	50.5	9	12.5	43	9	0.79



Switching Cam for Ball Valves

DN DIN	DN Inch	D2	H1	L	Weight [kg]
40	1 1/2"	55	15	9.5	0.04
50	2"	55	15	9.5	0.04
65	2 1/2"	55	15	9.5	0.04
80	3"	75	20	14	0.06
100	4"	75	20	14	0.06



Ball Valves and Accessories

Seal Set for Inch Ball Valves

PTFE/EPDM			PTFE/FKM	
DN Inch	Price/EUR	Article No.	Price/EUR	Article No.
1 1/2"	95.28	4013 0101 057 00	187.49	4013 0102 057 00
2"	97.15	4013 0101 058 00	187.98	4013 0102 058 00
2 1/2"	137.28	4013 0101 059 00	229.40	4013 0102 059 00
3"	237.69	4013 0101 060 00	325.44	4013 0102 060 00
4"	238.58	4013 0101 062 00	321.44	4013 0102 062 00

Seal Set, e.g. for abrasive and high-viscosity Media for Inch Ball Valves

PTFE/EPDM			PTFE/FKM	
DN Inch	Price/EUR	Article No.	Price/EUR	Article No.
1 1/2"	114.35	4013 0201 057 00	224.95	4013 0202 057 00
2"	116.60	4013 0201 058 00	225.60	4013 0202 058 00
2 1/2"	164.75	4013 0201 059 00	275.30	4013 0202 059 00
3"	285.25	4013 0201 060 00	390.55	4013 0202 060 00
4"	286.30	4013 0201 062 00	385.75	4013 0202 062 00

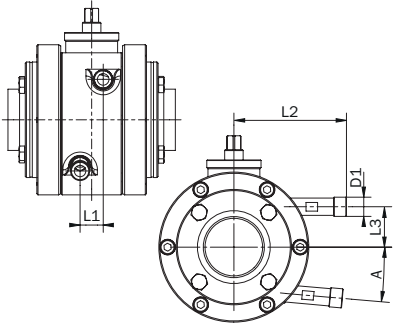
Retaining Plate for Ball valves

1.4301 (304)			
DN DIN	DN Inch	Price/EUR	Article No.
40	1 1/2"	64.50	4013 0004 0191
50	2"	64.50	4013 0005 0191
65	2 1/2"	64.50	4013 0005 0191
80	3"	72.75	4013 0008 0191
100	4"	72.75	4013 0008 0191

Switching Cam for Ball Valves

PTFE			
DN DIN	DN Inch	Price/EUR	Article No.
40	1 1/2"	45.97	4013 0005 030 0
50	2"	45.97	4013 0005 030 0
65	2 1/2"	45.97	4013 0005 030 0
80	3"	49.54	4013 0008 030 0
100	4"	49.54	4013 0008 030 0

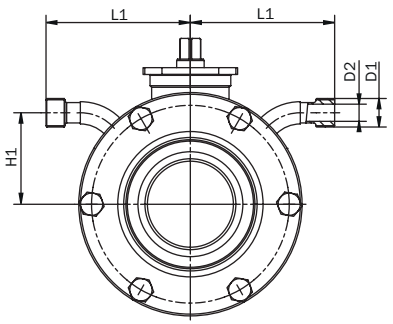
Ball Valves and Accessories



Version optional. Cannot be combined with heatable housing.

Additional Cost of Housing with flushing Connection for Ball Valve

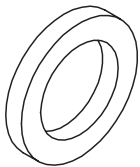
DN DIN	DN Inch	D1	A	L3	L1	L2
40	1 1/2"	G 3/8"	4°	15	26	81.5
50	2"	G 3/8"	5°	20	35	97.5
65	2 1/2"	G 3/8"	5°	30	47.5	102.5
80	3"	G 3/8"	25°	40	58.5	106.5
100	4"	G 3/8"	4°	60	76	111.5



Version optional. Cannot be combined with flushing connection.

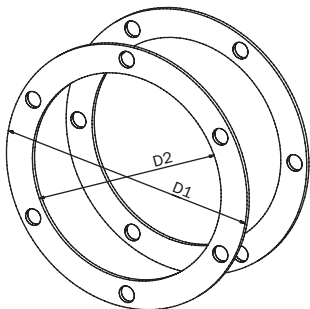
Surcharge for heatable Housing for Ball Valve

DN DIN	DN Inch	D1	D2	H1	L1
40	1 1/2"	G 3/8"	10	46.5	77
50	2"	G 3/8"	10	83	84
65	2 1/2"	G 3/8"	10	75.5	84.5
80	3"	G 3/8"	10	53	90
100	4"	G 3/8"	10	107.5	90.5



Seal Set, heatable/flushing Connection for Ball Valves

DN DIN	DN Inch
40 - 100	1 1/2" - 4"



Seal Set for Ball Valves with heatable Housing

DN DIN	DN Inch	D1	D2	Weight [kg]
40	1 1/2"	110	82.4	0.016
50	2"	128	100.4	0.020
65	2 1/2"	154	125.4	0.026
80	3"	173	145.4	0.028
100	4"	208	180.4	0.034

Ball Valves and Accessories

Additional Cost of Housing with flushing Connection for Ball Valve

1.4404 (316L)			
DN DIN	DN Inch	Price/EUR	Article No.
40	1 1/2"	155.00	*
50	2"	155.00	*
65	2 1/2"	155.00	*
80	3"	155.00	*
100	4"	155.00	*

For connection screw fittings, see chapter Leakage Butterfly Valves and Accessories.

Surcharge for heatable Housing for Ball Valve

1.4404 (316L)			
DN DIN	DN Inch	Price/EUR	Article No.
40	1 1/2"	150.00	*
50	2"	170.00	*
65	2 1/2"	190.00	*
80	3"	210.00	*
100	4"	230.00	*

For connection screw fittings, see chapter Leakage Butterfly Valves and Accessories.

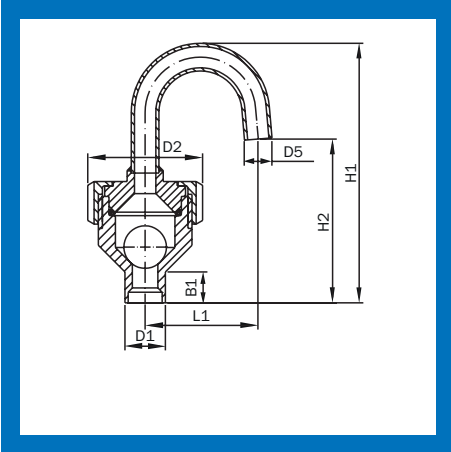
Seal Set, heatable/flushing Connection for Ball Valves

Set (comprised of 8 pieces)/ EPDM			
DN DIN	DN Inch	Price/EUR	Article No.
40 - 100	1 1/2" - 4"	27.35	4013 0011 0000 0

Seal Set for Ball Valves with heatable Housing

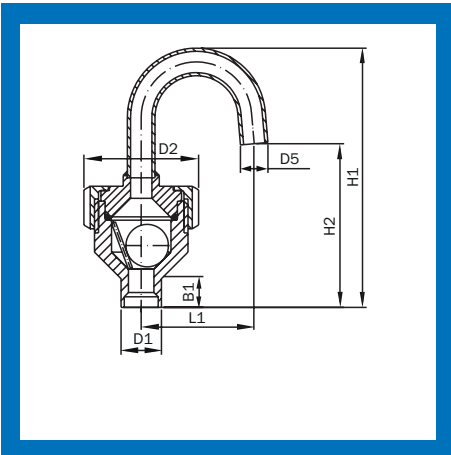
EPDM			
DN DIN	DN Inch	Price/EUR	Article No.
40	1 1/2"	22.14	4014 0000 4000
50	2"	22.14	4014 0000 5000
65	2 1/2"	27.62	4014 0000 6500
80	3"	27.62	4014 0000 8000
100	4"	33.75	4014 0001 0000

Vent and Exhaust Valve and Accessories



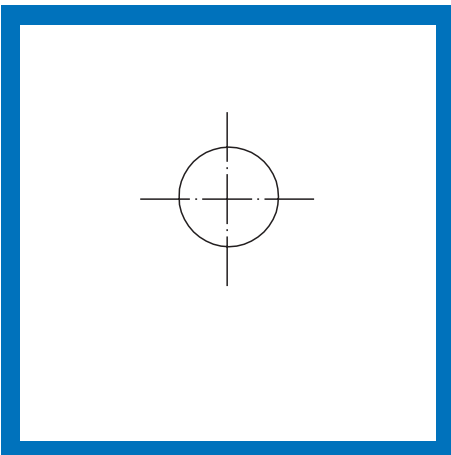
Exhaust Valve

DN DIN	D1	D2	D5	L1	B1	H1	H2	Weight [kg]
15	19 x 1.5	54	12 x 1	53	14.5	122	77	0.47



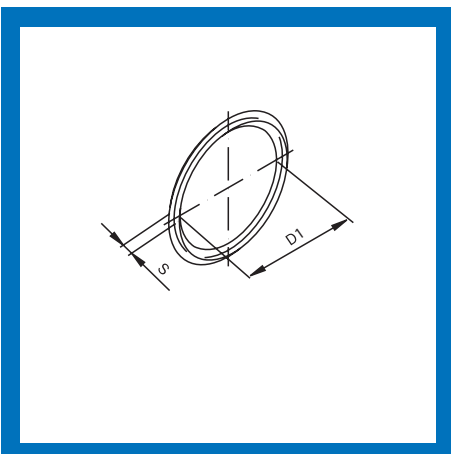
Vent and Exhaust Valve

DN DIN	D1	D2	D5	L1	B1	H1	H2	Weight [kg]
15	19 x 1.5	54	12 x 1	53	14.5	122	77	0.47



Ball for Vent and Exhaust Valve

DN DIN	D2	Weight [kg]
20	20	0.004



Seal Ring for Vent and Exhaust Valve

DN DIN	D1	S	Weight [kg]
25	28	3.5	0.001

Vent and Exhaust Valve and Accessories

Exhaust Valve

1.4404 (316L)/pol.		
DN DIN	Price/EUR	Article No.
15	91.00	4301 41 002

Standard construction
 The upper and lower sections are bolted with a standard nut. The lower section has a weld connection. The small exhaust pipe on the upper section can be swiveled into any given position.

Product pressure: 10 bar
 Temperature: < 90 °C
 Density of Ball: 0.906 kg/dm³

Vent and Exhaust Valve

1.4404 (316L)/pol.		
DN DIN	Price/EUR	Article No.
15	95.00	4401 41 002

Standard construction
 The upper and lower sections are bolted with a standard nut. The lower section has a weld connection. The small exhaust pipe on the upper section can be swiveled into any given position.

Product pressure: 10 bar
 Temperature: < 90 °C
 Density of Ball: 0.906 kg/dm³

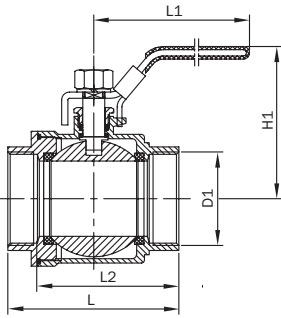
Ball for Vent and Exhaust Valve

PP		
DN DIN	Price/EUR	Article No.
20	10.85	4301 41 042

Seal Ring for Vent and Exhaust Valve

EPDM		
DN DIN	Price/EUR	Article No.
25	4.86	1129 00 431

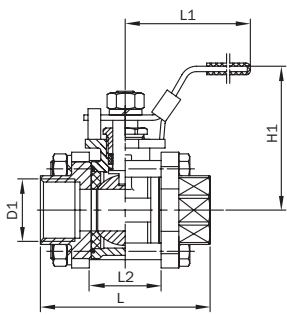
Ball Cocks and Vacuum Valve



inside $Ra \leq 0.8 \mu\text{m}$ in the passage,
with solid ball and FDA

Ball Cock, 2-pc. Thread/Thread

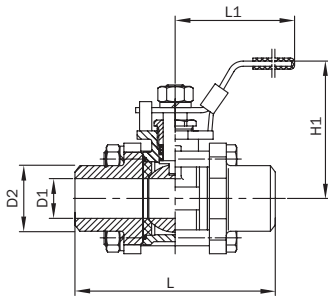
DN Inch	D1	L	H1	L1	L2
1/4"	G 1/4"	48.5	52	102	37
3/8"	G 3/8"	48.5	52	102	37
1/2"	G 1/2"	52	59	117	42.3
3/4"	G 3/4"	60	62	125	47.5
1"	G 1"	72	71	133	57
1 1/4"	G 1 1/4"	87	80	147	69
1 1/2"	G 1 1/2"	96	86	179	80.3
2"	G 2"	108	99	179	90
2 1/2"	G 2 1/2"	136	135	206	114.6
3"	G 3"	164	143	240	138.5



inside $Ra \leq 0.8 \mu\text{m}$ in the passage,
with solid ball and FDA

Ball Cock, 3-pc. Thread/Thread

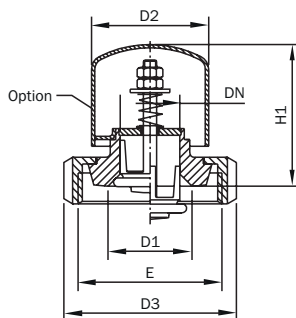
DN Inch	D1	L	H1	L1	L2
1/4"	G 1/4"	67	64	116	21
3/8"	G 3/8"	67	64	116	21
1/2"	G 1/2"	72.5	69	130	26.5
3/4"	G 3/4"	81.5	73	135	32.5
1"	G 1"	89.5	73	143	38.5
1 1/4"	G 1 1/4"	111	80	143	49
1 1/2"	G 1 1/2"	116	87	182	54
2"	G 2"	146	96	182	68.8
2 1/2"	G 2 1/2"	180	129	265	86.5
3"	G 3"	206	141	265	102



inside $Ra \leq 0.8 \mu\text{m}$ in the passage,
with solid ball and FDA

Ball Cock, 3-pc. Weld/Weld

DN Inch	D1	D2	L	H1	L1
1/4"	12.5	18	67	64	116
3/8"	12.5	18	67	64	116
1/2"	15	22	72.5	69	130
3/4"	20	27	81	73	135
1"	25	34	94.5	73	143
1 1/4"	32	42.5	110	80	143
1 1/2"	38	49	124	87	182
2"	50	62	145	96	182
2 1/2"	65	76	190	129	265
3"	80	91.5	214	141	265
4"	100	115	224	182	290



Vacuum Valve

DN DIN	D1	D2	D3	E	H1	Weight [kg]
25	38	53 x 1.5	78	Rd 65 x 1/6"	64	0.51
32	50	70 x 2	92	Rd 78 x 1/6"	75	0.73
40	66	70 x 2	112	Rd 95 x 1/6"	83	1.12
50	81	85 x 2	127	Rd 110 x 1/4"	88	1.65
65	100	104 x 2	148	Rd 130 x 1/4"	106	2.44
80	125	129 x 2	178	Rd 160 x 1/6"	103	3.87
100	150	154 x 2	210	Rd 190 x 1/4"	121	5.39

Ball Cocks and Vacuum Valve

Ball Cock, 2-pc. Thread/Thread

1.4408		
DN Inch	Price/EUR	Article No.
1/4"	8.40	4601 50 00 2
3/8"	8.40	4601 51 00 2
1/2"	9.63	4601 52 00 2
3/4"	13.33	4601 53 00 2
1"	19.71	4601 54 00 2
1 1/4"	34.94	4601 55 00 2
1 1/2"	39.54	4601 57 00 2
2"	63.84	4601 58 00 2
2 1/2"	124.32	4601 59 00 2
3"	178.42	4601 60 00 2

Ball Cock, 3-pc. Thread/Thread

1.4408		
DN Inch	Price/EUR	Article No.
1/4"	12.77	4602 50 00 2
3/8"	12.77	4602 51 00 2
1/2"	17.08	4602 52 00 2
3/4"	23.18	4602 53 00 2
1"	31.08	4602 54 00 2
1 1/4"	45.92	4602 55 00 2
1 1/2"	66.98	4602 57 00 2
2"	87.36	4602 58 00 2
2 1/2"	167.44	4602 59 00 2
3"	240.80	4602 60 00 2

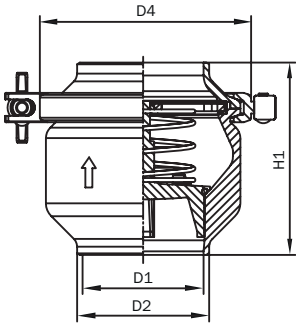
Ball Cock, 3-pc. Weld/Weld

1.4408		
DN Inch	Price/EUR	Article No.
1/4"	12.77	4603 50 00 2
3/8"	12.77	4603 51 00 2
1/2"	17.08	4603 52 00 2
3/4"	23.18	4603 53 00 2
1"	31.08	4603 54 00 2
1 1/4"	45.92	4603 55 00 2
1 1/2"	66.98	4603 57 00 2
2"	87.36	4603 58 00 2
2 1/2"	167.44	4603 59 00 2
3"	240.80	4603 60 00 2
4"	372.00	4603 62 00 2

Vacuum Valve

1.4301 (304)/pol (without cover)		1.4301 (304)/pol (cover)	
DN DIN	Price/EUR	Article No.	Article No.
25	99.04	4501 05 001	4501 05 301
32	104.71	4501 06 001	4501 06 301
40	152.88	4501 07 001	4501 07 301
50	160.19	4501 08 001	4501 08 301
65	248.35	4501 09 001	4501 09 301
80	329.53	4501 10 001	4501 10 301
100	432.02	4501 12 001	4501 12 301

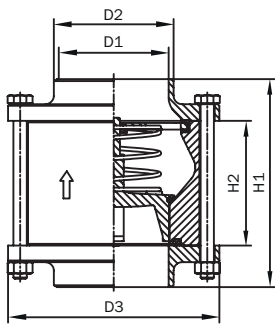
Non-Return Valves



Also available with ATEX certification.

Non-Return Valve Weld/Weld DIN

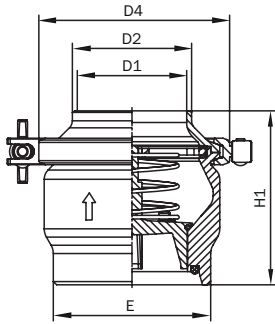
DN DIN	D1	D2	D4	H1	Kv value in m ³ /h	Weight [kg]
25	26	29	64	72	17.3	0.58
32	32	35	77	72	24	0.86
40	38	41	91	80	34.7	1.17
50	50	53	104	90	50	1.55
65	66	70	119	105	106	2.80
80	81	85	145	125	149	3.96
100	100	104	170	140	230	6.50



Also available with ATEX certification.

Intermediate Flange Non-Return Valve DIN

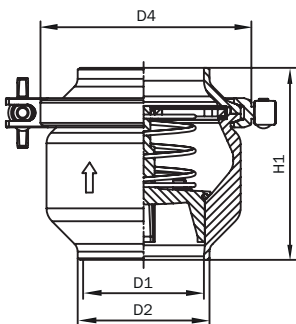
DN DIN	D1	D2	D3	H1	H2	Kv value in m ³ /h	Weight [kg]
25	26	29	87	90	50	17.3	1.90
32	32	35	92	90	50	24	1.92
40	38	41	97	105	55	34.7	2.08
50	50	53	110	114	64	50	2.72
65	66	70	127	125	75	106	3.83
80	81	85	142	150	90	149	7.72
100	100	104	162	160	100	230	10.20



Also available with ATEX certification.

Non-Return Valve Thread/Weld DIN

DN DIN	D1	D2	D4	E	H1	Weight [kg]
10	10	13	64	Rd 52 x 1/6"	72	0.69
15	16	19	64	Rd 52 x 1/6"	72	0.69
20	20	23	64	Rd 52 x 1/6"	72	0.69
25	26	29	64	Rd 52 x 1/6"	72	0.69
32	32	35	64	Rd 58 x 1/6"	72	0.89
40	38	41	91	Rd 65 x 1/6"	83	1.37
50	50	53	104	Rd 78 x 1/6"	93	1.85
65	66	70	119	Rd 95 x 1/6"	105	2.84
80	81	85	145	Rd 110 x 1/4"	125	4.40
100	100	104	170	Rd 130 x 1/4"	140	7.30



Also available with ATEX certification.

Non-Return Valve Weld/Weld Inch

DN Inch	D1	D2	D4	H1	Weight [kg]
1"	22.2	25.4	64	77	0.60
1 1/2"	34.8	38.1	77	72	0.86
2"	47.6	50.8	104	95	1.55
2 1/2"	60.3	63.5	119	110	2.80
3"	72.9	76.1	119	105	3.96
4"	97.4	101.6	170	140	6.50

Non-Return Valves

Non-Return Valve Weld/Weld DIN

1.4301 (304)/pol/EPDM		1.4404 (316L)/pol/EPDM		
DN DIN	Price/EUR	Article No.	Price/EUR	Article No.
25	99.78	4202 05 001	112.92	4202 05 002
32	117.14	4202 06 001	158.83	4202 06 002
40	119.62	4202 07 001	140.32	4202 07 002
50	152.72	4202 08 001	189.33	4202 08 002
65	217.17	4202 09 001	272.16	4202 09 002
80	355.78	4202 10 001	462.51	4202 10 002
100	577.79	4202 12 001	751.27	4202 12 002

Intermediate Flange Non-Return Valve DIN

1.4301 (304)/pol /EPDM		1.4404 (316L)/pol/EPDM		
DN DIN	Price/EUR	Article No.	Price/EUR	Article No.
25	99.78	4203 05 001	112.92	4203 05 002
32	117.14	4203 06 001	158.83	4203 06 002
40	119.62	4203 07 001	140.32	4203 07 002
50	152.72	4203 08 001	189.33	4203 08 002
65	178.31	4203 09 001	206.69	4203 09 002
80	321.88	4203 10 001	387.71	4203 10 002
100	447.05	4203 12 001	558.56	4203 12 002

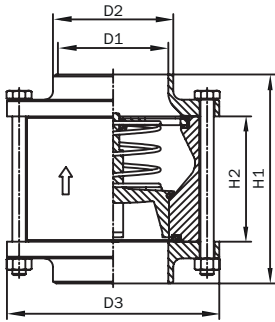
Non-Return Valve Thread/Weld DIN

1.4301 (304)/pol /EPDM		1.4404 (316L)/pol/EPDM		
DN DIN	Price/EUR	Article No.	Price/EUR	Article No.
10	99.78	4201 01 001	112.92	4201 01 002
15	99.78	4201 03 001	112.92	4201 03 002
20	99.78	4201 04 001	112.92	4201 04 002
25	99.78	4201 05 001	112.92	4201 05 002
32	117.14	4201 06 001	158.83	4201 06 002
40	119.62	4201 07 001	140.32	4201 07 002
50	152.72	4201 08 001	189.33	4201 08 002
65	217.17	4201 09 001	272.16	4201 09 002
80	355.78	4201 10 001	462.51	4201 10 002
100	577.79	4201 12 001	751.27	4201 12 002

Non-Return Valve Weld/Weld Inch

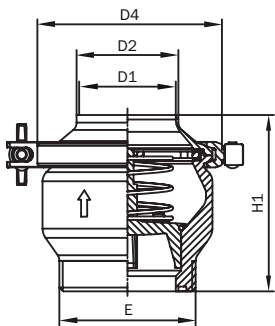
1.4301 (304)/pol /EPDM		1.4404 (316L)/pol/EPDM		
DN Inch	Price/EUR	Article No.	Price/EUR	Article No.
1"	99.80	4202 54 001/1	112.95	4202 54 002/1
1 1/2"	117.20	4202 57 001/1	158.85	4202 57 002/1
2"	152.75	4202 58 001/1	189.35	4202 58 002/1
2 1/2"	217.20	4202 59 001/1	272.20	4202 59 002/1
3"	355.80	4202 60 001/1	462.55	4202 60 002/1
4"	577.80	4202 62 001/1	751.30	4202 62 002/1

Non-Return Valves



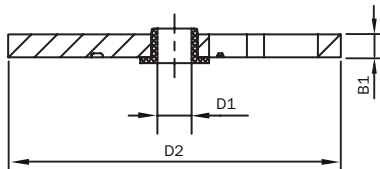
Also available with ATEX certification.

Intermediate Flange Non-Return Valve Inch						
DN Inch	D1	D2	D3	H1	H2	Weight [kg]
1"	22.9	25.4	87	90	50	1.90
1 1/4"	29.3	35	92	90	50	1.92
1 1/2"	35.1	38.1	97	105	55	2.08
2"	47.8	50.8	110	114	64	2.72
2 1/2"	60.5	63.5	127	125	75	3.83
3"	72.1	76.1	142	150	90	7.72
4"	97.6	101.6	162	160	100	10.20

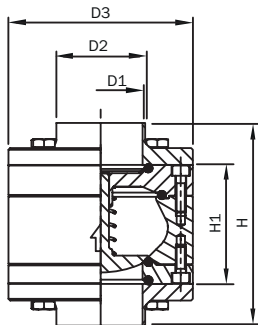


Also available with ATEX certification.

Non-Return Valve Thread/Weld SMS						
DN SMS	D1	D2	D4	E	H1	Weight [kg]
25	22.2	25.4	64	Rd 40 x 1/6"	77	0.60
38	34.8	38.1	77	Rd 60 x 1/6"	72	0.86
51	47.6	50.8	104	Rd 70 x 1/6"	95	1.55
63.5	60.3	63.5	119	Rd 85 x 1/6"	110	2.80
76.1	72.9	76.1	119	Rd 98 x 1/6"	105	3.96
101.6	97.4	101.6	170	Rd 132 x 1/6"	140	6.50
104	100	104	170	Rd 125 x 1/4"	140	6.50



Spare part Non-Return Valve (Spring Guide with Plain Bearing)						
DN DIN	DIN Inch	DIN SMS	D2	D1	B1	Weight [kg]
25	1"	25	40	6	3	0.014
32	1 1/4"	38	46	6	3	0.016
40	1 1/2"		58	6	4	0.029
50	2"	51	74	8	4	0.044
65	2 1/2"	63.5 - 76.1	89	8	4	0.065
80	3"		108	8	4	0.080
100	4"	101.6 - 104	129	8	4	0.100



Hygienic Intermediate Flange Non-Return Valve DIN							
DN DIN	D1	D2	D3	H1	H	Kv value in m³/h	Weight [kg]
25	26	29	87	56.5	96.5	11.8	3.16
32	32	35	92	60	100	20.7	3.59
40	38	41	97	63	113	26.2	3.85
50	50	53	110	71	121	45.4	4.83
65	66	70	127	81	131	63	6.81
80	81	85	142	94	154	113.5	9.58
100	100	104	162	97	157	174	11.29

Non-Return Valves

Intermediate Flange Non-Return Valve Inch

1.4301 (304)/pol /EPDM			1.4404 (316L)/pol/EPDM	
DN Inch	Price/EUR	Article No.	Price/EUR	Article No.
1"	99.78	4203 54 001	112.92	4203 54 002
1 1/4"	117.14	4203 55 001	158.83	4203 55 002
1 1/2"	119.62	4203 57 001	140.32	4203 57 002
2"	152.72	4203 58 001	189.33	4203 58 002
2 1/2"	178.31	4203 59 001	206.69	4203 59 002
3"	321.88	4203 60 001	387.71	4203 60 002
4"	447.05	4203 62 001	558.56	4203 62 002

Non-Return Valve Thread/Weld SMS

1.4301 (304)/pol /EPDM			1.4404 (316L)/pol/EPDM	
DN SMS	Price/EUR	Article No.	Price/EUR	Article No.
25	99.80	4201 91 001/1	112.95	4201 91 002/1
38	117.20	4201 92 001/1	158.85	4201 92 002/1
51	152.75	4201 93 001/1	189.35	4201 93 002/1
63.5	217.20	4201 94 001/1	272.20	4201 94 002/1
76.1	355.80	4201 95 001/1	462.55	4201 95 002/1
101.6	577.80	4201 96 001/1	751.30	4201 96 002/1
104	577.80	4201 97 001/1	751.30	4201 97 002/1

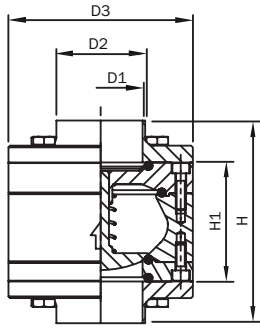
Spare part Non-Return Valve (Spring Guide with Plain Bearing)

1.4404 (316L)/pol		
DN DIN	Price/EUR	Article No.
25	12.15	4210 051 72
32	14.45	4210 061 72
40	14.80	4210 071 72
50	19.10	4210 081 72
65	20.10	4210 091 72
80	26.40	4210 101 72
100	30.50	4210 121 72

Hygienic Intermediate Flange Non-Return Valve DIN

1.4404 (316L)/pol /EPDM			1.4404 (316L)/pol/FKM	
DN DIN	Price/EUR	Article No.	Price/EUR	Article No.
25	229.50	4213 050 02/1	254.50	4213 050 02/2
32	255.50	4213 060 02/1	280.50	4213 060 02/2
40	278.50	4213 070 02/1	303.50	4213 070 02/2
50	333.50	4213 080 02/1	358.50	4213 080 02/2
65	470.00	4213 090 02/1	495.00	4213 090 02/2
80	735.30	4213 100 02/1	760.30	4213 100 02/2
100	1089.00	4213 120 02/1	1119.00	4213 120 02/2

Non-Return Valves



Hygienic Intermediate Flange Non-Return Valve Inch

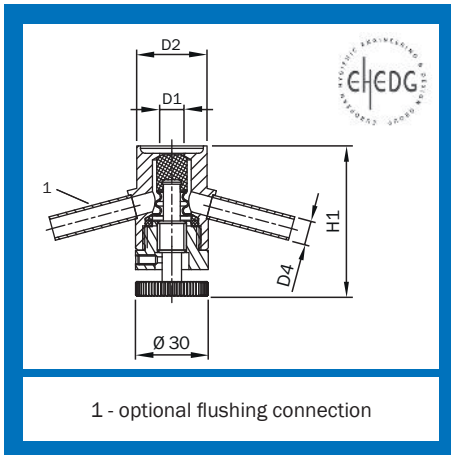
DN Inch	D1	D2	D3	H1	H	Kv value in m ³ /h	Weight [kg]
1"	22.2	25.4	87	56.5	96.5	10.1	3.19
1 1/2"	34.8	38.1	97	63	113	18.9	3.89
2"	47.6	50.8	110	71	121	43.2	4.84
2 1/2"	60.3	63.5	127	81	131	58.6	6.82
3"	72.1	76.1	142	94	154	102.3	9.76
4"	97.4	101.6	162	97	157	169.5	11.33

Non-Return Valves

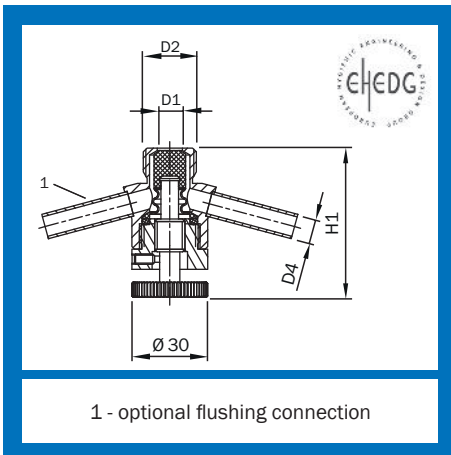
Hygienic Intermediate Flange Non-Return Valve Inch

1.4404 (316L)/pol /EPDM		1.4404 (316L)/pol /FKM		
DN Inch	Price/EUR	Article No.	Price/EUR	Article No.
1"	229.50	4213 540 02/1	254.50	4213 540 02/2
1 1/2"	278.50	4213 570 02/1	303.50	4213 570 02/2
2"	333.50	4213 580 02/1	358.50	4213 580 02/2
2 1/2"	470.00	4213 590 02/1	495.00	4213 590 02/2
3"	735.30	4213 600 02/1	760.30	4213 600 02/2
4"	1089.00	4213 620 02/1	1119.00	4213 620 02/2

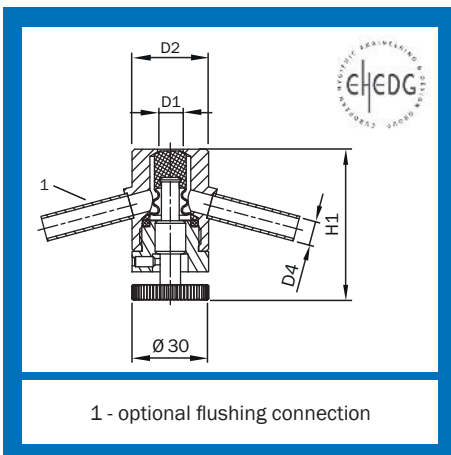
Sampling Valves and Accessories



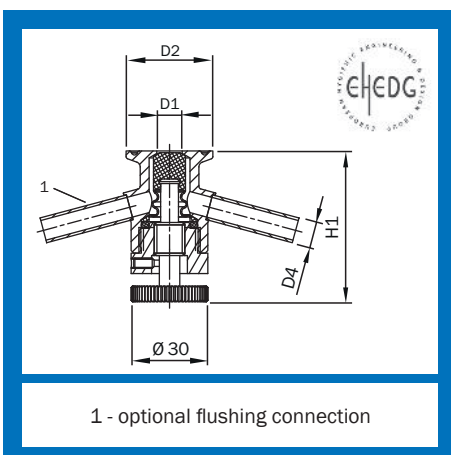
Sampling Valve Pipe Connection								
D2	D1	D4	H1	Weight [kg]	1.4404 (316L)		1.4404 (316L) / with flushing connection	
					Price/EUR	Article No.	Price/EUR	Article No.
29 x 1.5	10	10 x 1	62	0.31	105.00	4130 43 002	133.50	4130 43 202



Sampling Valve Threaded Connection								
D2	D1	D4	H1	Weight [kg]	1.4404 (316L)		1.4404 (316L) / with flushing connection	
					Price/EUR	Article No.	Price/EUR	Article No.
G 1/2"	10	10 x 1	59	0.31	105.00	4131 01 002	133.50	4131 01 202

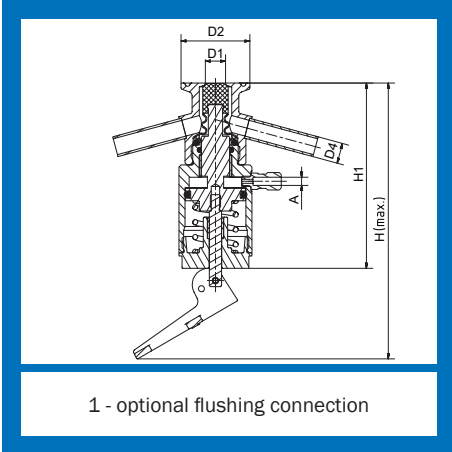


Sampling Valve Tank Connection								
D2	D1	D4	H1	Weight [kg]	1.4404 (316L)		1.4404 (316L) / with flushing connection	
					Price/EUR	Article No.	Price/EUR	Article No.
30	10	10 x 1	59	0.31	105.00	4132 01 002	133.50	4132 01 202



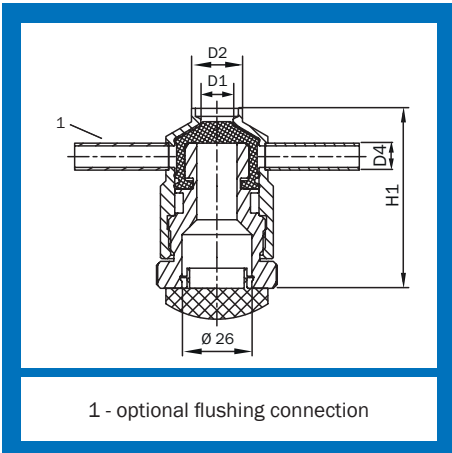
Sampling Valve Clamp Connection								
D2	D1	D4	H1	Weight [kg]	1.4404 (316L)		1.4404 (316L) / with flushing connection	
					Price/EUR	Article No.	Price/EUR	Article No.
34	10	10 x 1	59	0.36	138.50	4134 01 002	167.00	4134 01 202

Sampling Valves and Accessories



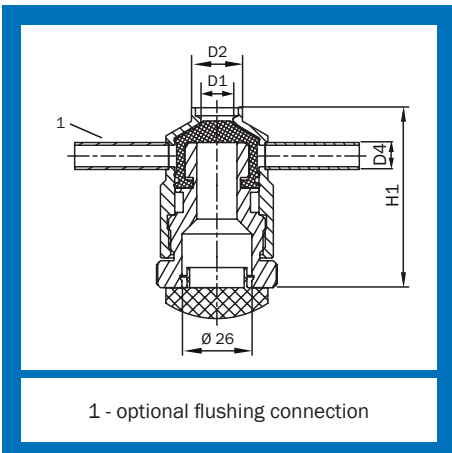
1 - optional flushing connection

Pneumatic Sampling Valve Clamp Connection										
D2	D1	D4	A	H1	H	Weight [kg]	1.4404 (316L)		1.4404 (316L) / with flushing connection	
							Price/EUR	Article No.	Price/EUR	Article No.
34	10	10 x 1	4	60.5	150	0.47	369.00	4164 000 02	399.00	4164 002 02



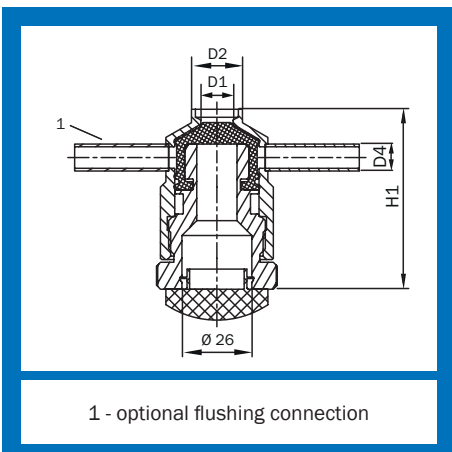
1 - optional flushing connection

Sampling Valve Vario Pipe Connection									
D2	D1	D4	H1	Weight [kg]	1.4404 (316L) / VMQ		1.4404 (316L) / VMQ with flushing connection		
					Price/EUR	Article No.	Price/EUR	Article No.	
19 x 1.5	12	10 x 1	67	0.42	99.95	4141 030 02/0	128.45	4141 032 02/0	
41 x 1.5	12	10 x 1	71	0.51	99.95	4141 070 02/0	128.45	4141 072 02/0	



1 - optional flushing connection

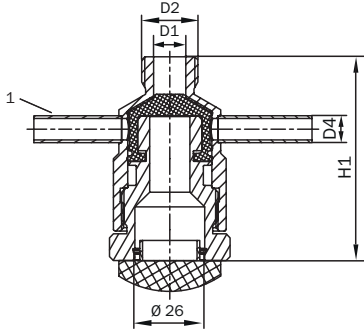
Sampling Valve Vario Pipe Connection									
D2	D1	D4	H1	Weight [kg]	1.4404 (316L) / EPDM		1.4404 (316L) / EPDM with flushing connection		
					Price/EUR	Article No.	Price/EUR	Article No.	
19 x 1.5	12	10 x 1	67	0.42	99.95	4141 030 02/1	128.45	4141 032 02/1	
41 x 1.5	12	10 x 1	71	0.51	99.95	4141 070 02/1	128.45	4141 072 02/1	



1 - optional flushing connection

Sampling Valve Vario Pipe Connection									
D2	D1	D4	H1	Weight [kg]	1.4404 (316L) / FKM		1.4404 (316L) / FKM with flushing connection		
					Price/EUR	Article No.	Price/EUR	Article No.	
19 x 1.5	12	10 x 1	67	0.42	105.10	4141 030 02/2	133.60	4141 032 02/2	
41 x 1.5	12	10 x 1	71	0.51	105.10	4141 070 02/2	133.60	4141 072 02/2	

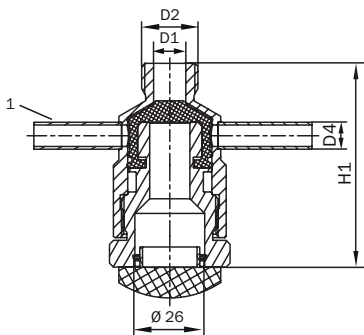
Sampling Valves and Accessories



1 - optional flushing connection

Sampling Valve Vario Threaded Connection

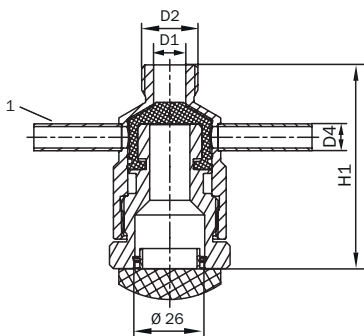
D2	D1	D4	H1	Weight [kg]	1.4404 (316L) / VMQ		1.4404 (316L) / VMQ with flushing connection	
					Price/EUR	Article No.	Price/EUR	Article No.
G 1/2"	12	10 x 1	76	0.43	129.95	4142 000 02/0	158.45	4142 002 02/0



1 - optional flushing connection

Sampling Valve Vario Threaded Connection

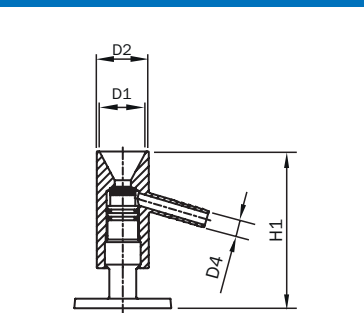
D2	D1	D4	H1	Weight [kg]	1.4404 (316L) / EPDM		1.4404 (316L) / EPDM with flushing connection	
					Price/EUR	Article No.	Price/EUR	Article No.
G 1/2"	12	10 x 1	76	0.43	129.95	4142 000 02/1	158.45	4142 002 02/1



1 - optional flushing connection

Sampling Valve Vario Threaded Connection

D2	D1	D4	H1	Weight [kg]	1.4404 (316L) / FKM		1.4404 (316L) / FKM with flushing connection	
					Price/EUR	Article No.	Price/EUR	Article No.
G 1/2"	12	10 x 1	76	0.43	135.10	4142 000 02/2	163.60	4142 002 02/2



ECO Sampling Valve Pipe Connection

D2	D1	D4	H1	Weight [kg]	1.4404 (316L)	
					Price/EUR	Article No.
29	26	10	87.5	0.36	59.80	4150 05 002



Armaturenwerk Hötensleben GmbH
 Schulstr. 5 - 6
 D-39393 Hötensleben, Germany

Tel: +49 39405 92-0
 Fax: +49 39405 92-111
 E-mail: info@awh.eu
 http://www.awh.eu

NEUMO Ehrenberg Group

